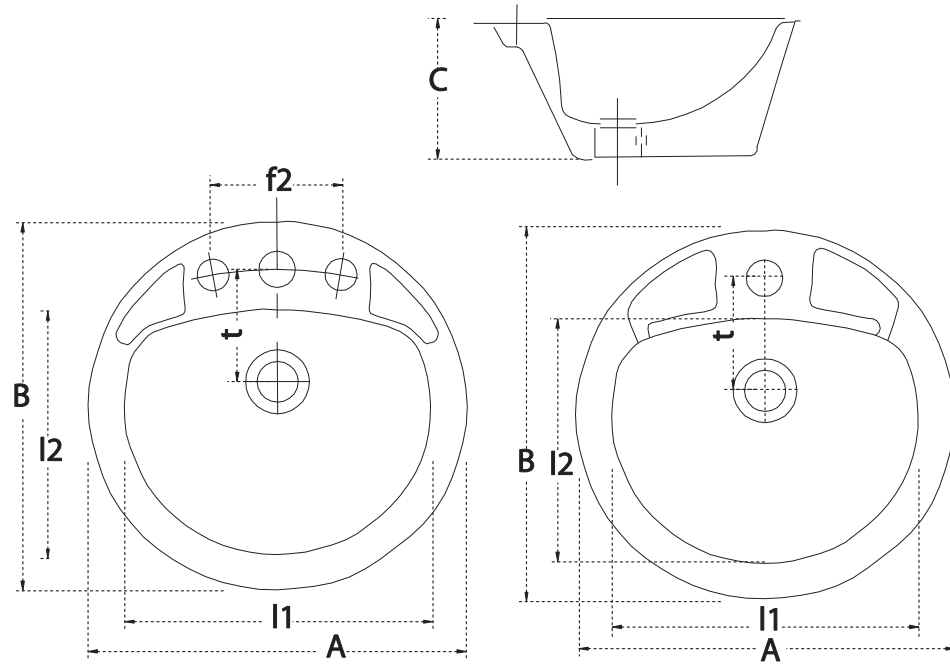


1004 Circular



A	B	C	t	f2	l1	l2
470	470	200	170 <sub>max</sub>	150	380	335