

# KOHLER®

## INSTALLATION INSTRUCTIONS

*JULY*  
**SIROCCO**

16093IN-4	JULY 1 WAY BIB TAP
16094IN-4	JULY 2 WAYS BIB TAP
11749IN-9	SIROCCO 1 WAY BIB TAP
11790IN-9	SIROCCO 2 WAYS BIB TAP

### BEFORE YOU BEGIN

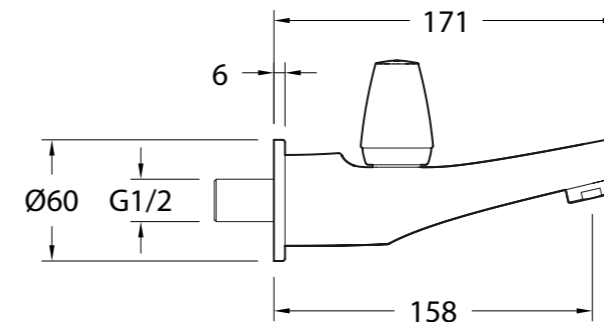
All information is based on the latest product information available at the time of publication. Kohler Co. reserves the right to make changes in product characteristics, packaging, or availability at any time without notice.

Please leave these instructions for the consumer. They contain important information.

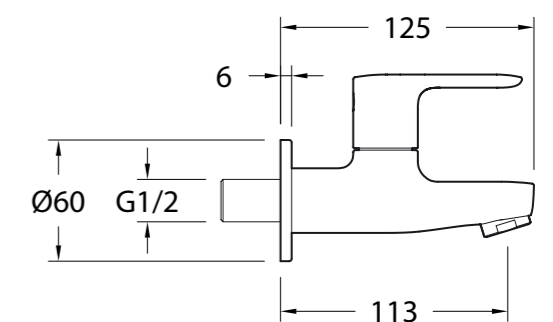
#### NOTE:

1. Flush the water supply pipes thoroughly to remove any debris.
2. Observe all local plumbing and building codes.

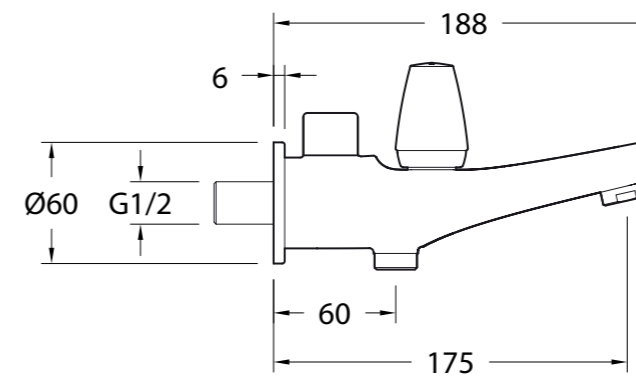
### ROUGH-IN DIMENSIONS



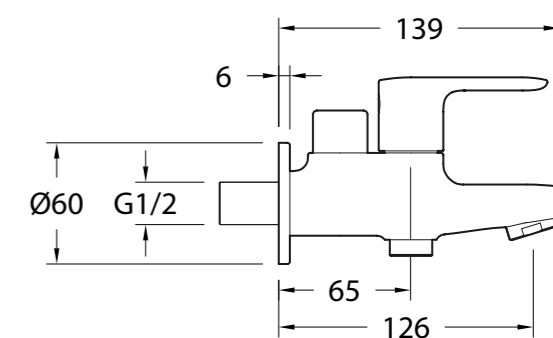
11749IN-9



16093IN-4



11790IN-9



16094IN-4

# KOHLER®

Kohler India Corporation Pvt. Ltd.  
6th Floor, Office Block  
Ambiance Mall, Ambi Island, NH-8  
Gurgaon-122002  
Haryana, India

Customer Care No : 1800 103 2244 (Toll Free) & +91-124-4319685 / 86  
Customer Care Email : [indiacustomer@kohler.com](mailto:indiacustomer@kohler.com)  
[www.kohler.co.in](http://www.kohler.co.in)

