

**BEFORE YOU BEGIN**

- Please read these instructions carefully to familiarize yourself with the required tools, materials and installation sequences. Follow the sections that pertain to your particular installation. This will help you avoid costly mistakes. In addition to proper installation, read all operating and safety instructions.
- All information in these instructions is based upon the latest product information available at the time of publication. Kohler India reserves the right to make changes in product characteristics, packaging or availability at any time without notice.
- These instructions contain important care, cleaning and warranty information. Please leave instructions for the consumer.

**ORDERING INFORMATION**

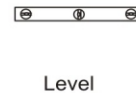
BRIVE+ Wall-hung Toilet . . . . .	K-13945IN	BRIVE+ Wall-hung Toilet . . . . .	K-13945IN-S
Includes Bowl . . . . .	K-15545IN	Includes Bowl . . . . .	K-15545IN
Includes Seat . . . . .	K-13944IN	Includes Seat . . . . .	K-13946IN

**NOTES**

- Observe all local plumbing and building codes. Shut off the water supply. Seat post holes are on 155mm centers.
- Ensure that the new drain and inlet have the correct roughing-in dimensions. **See Fig.#1.**
- Be very careful while working with vitreous china products. Vitreous china can break or chip if the bolts or nuts are over tightened, or if carelessly handled. Carefully inspect the new bowl for any sign of damage.
- Fixture dimensions are nominal and conform to tolerances established by ASME Standards (A112. 19.2M).

**TOOLS AND MATERIALS REQUIRED (Not supplied)**

- |                              |             |                        |
|------------------------------|-------------|------------------------|
| 10"(254mm) adjustable wrench | Level       | Screwdriver            |
| Metal file (file cut)        | Hacksaw     | Straight pipe coupling |
| Tape measure                 | Putty knife | Connection packing     |
| Tubing cutter                |             |                        |



**Recommended Tanks**

Description	Inwall Tank	Cover
Ove in-wall tank, without iron rack, with optional top & front actuation	K-6287IN-NA	K-6288-CP/-SC
Odeon in-wall tank, without iron rack, with front actuation	K-6286-NA	K-6283T-CP/-SC

## ROUGHING-IN

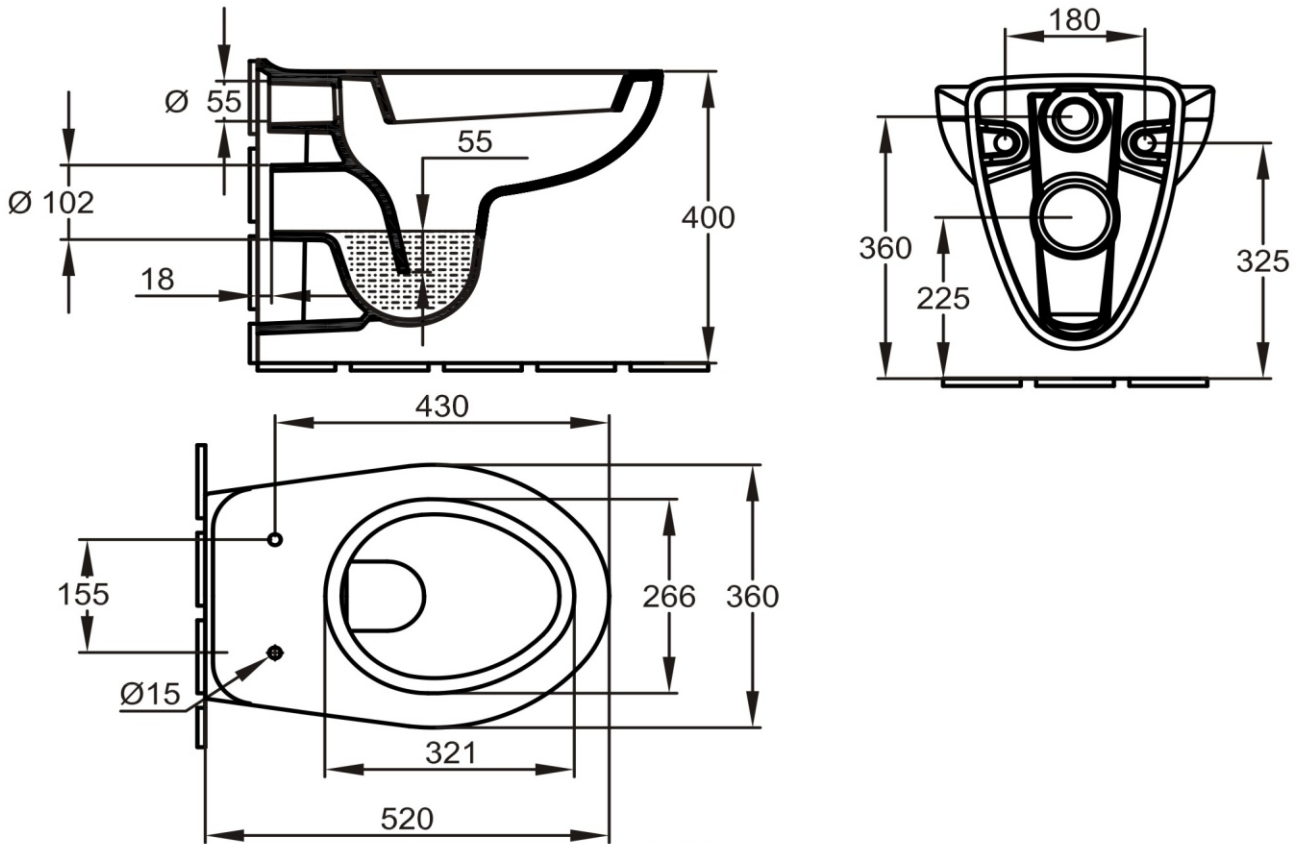


Fig.#1.

## INSTALLATION

### 1. INSTALL THE TANK

Install the tank system as per tank's installation instructions.  
Turn the water supply off before installing the new toilet.  
Install the concealed tank system in wall before decorating the wall.

Recommended rack dimension (fig.#2-a)

- 1) Rack height should be adjustable to meet the required dimensions as in (Fig.#2-a)
- 2) Rack should support weight at least 400kg.

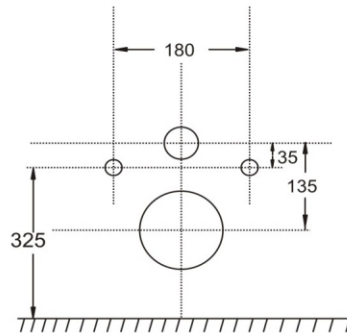


Fig.#2-a

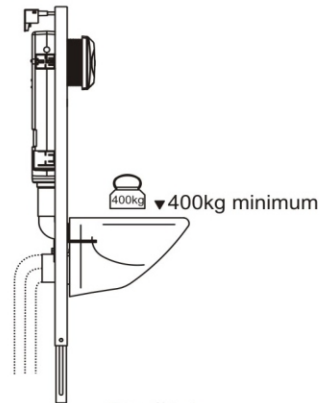


Fig.#2-b

### 2. INSTALL THE NEW BOWL (PAN)



**CAUTION: Risk of hazardous gases. If the new toilet is not installed immediately, temporarily place a rag in the closet flange.**

#### (a) Remove the Existing Bowl (Pan).

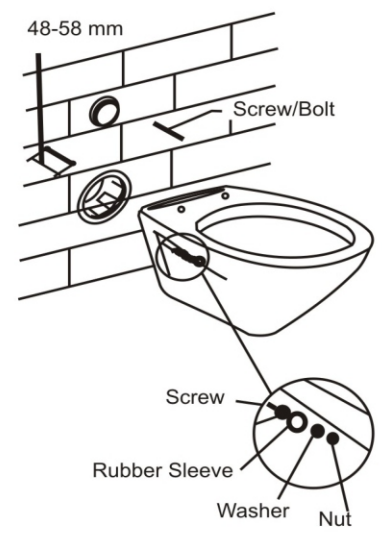
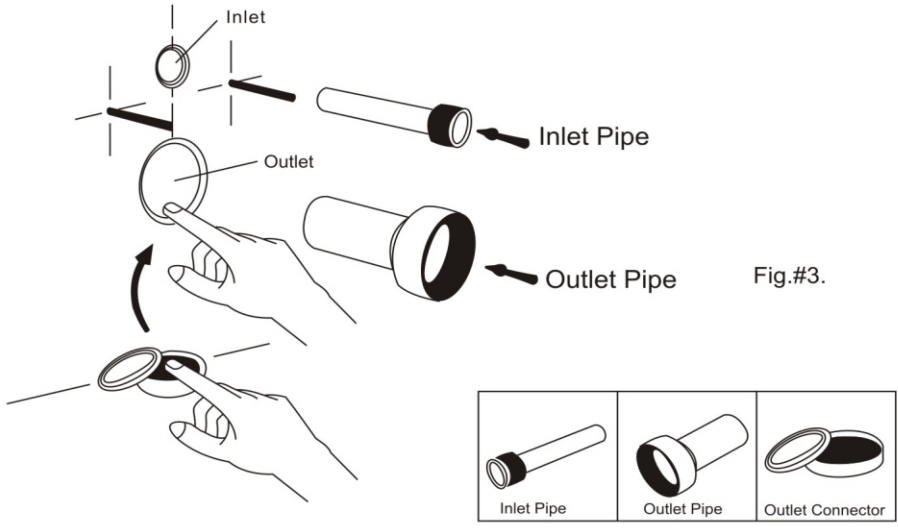
- Turn off the water supply.
- Flush the toilet.
- Sponge out all remaining water from the bowl (Pan).
- Remove the caps, nuts, washers, rubber sleeves, decoration cap base, bowl (Pan) and gaskets from the closet flange.

#### Install the New bowl (Pan).

- Install tank (cistern) and frame as per the manufacturer's instructions.
- Apply pipes and gaskets to the bowl (pan). Refer to pipe and gasket manufacturer's instructions for installation.
- Mount the bowl (pan) as per the frame manufacturer's instructions.

**(b) Attach connection pipe**

Attach inlet pipe with gasket to the outlet of the concealed tank.  
Attach outlet connector with gasket to the outlet in wall.  
Attach outlet pipe to the outlet connector.  
You may apply some lubricant to help connect smoothly.  
Adjust & cut the inlet & outlet pipe to required Length.



**(c) Install the bowl**

Place the new bowl on the wall through bolts coming out.  
Adjust to horizontal level & finish the tightening.  
(Torque for tightening nuts is recommended to be within 8-12Nm.).

**3.CHECKOUT INSTALLATION.**

Flush the toilet several times and check all connections for leaks.  
Periodically check for leaks for several days following the installation. Apply sealant to bowl's edge with the wall.  
For bowls (pans) with seats, use the seat attachment hardware and instructions packed with the toilet seat.

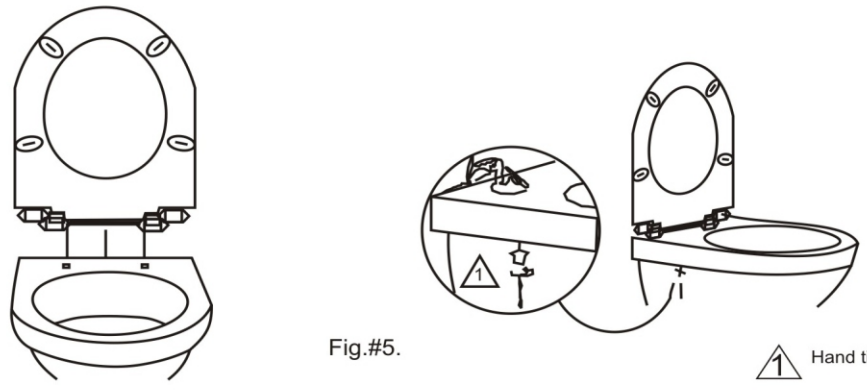


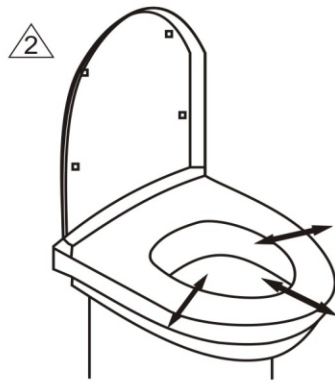
Fig.#4.

(Apply sealant to make sure the bowl's edge seals to the wall.)

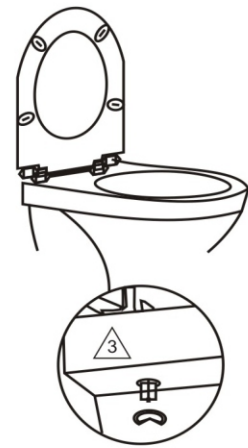
**4.INSTALL SEAT WITH HARDWARE PROVIDED.** (These are just indicative pictures/sketches)

Use the seat attachment hardware and follow instructions packed with the toilet Seat. Refer to seat installation instructions for respective spares.





2 Adjust seat fit



3 Finish tightening.

Fig. #6

## IMPORTANT CONSUMER INFORMATION

### CONSUMER RESPONSIBILITIES

- When cleaning up after installation, do not use abrasive cleansers, as they may scratch and dull the toilet surface. Use warm water and a liquid detergent to clean the surface.
- Remove stubborn stains, paint, or tar with turpentine or paint thinner. Do not allow cleaners containing petroleum distillates to remain in contact with any toilet surface for long periods of time.
- Remove plaster by carefully scrapping with a wood edge. Do not use metal scrapers, wires brushes, or other metal tools. Use a powder type detergent on a damp cloth to provide mild abrasive action to any residual plaster.
- Clean the outside surface of your vitreous china product with mild soap and warm water. Wipe the entire surface completely dry with a clean, soft cloth.
- Most toilet bowl cleaners are not harmful to the vitreous china surface of the toilet bowl. Please follow the bowl cleaner manufacturer's instructions carefully.
- Do not use abrasive cleaners or solvents.

India: +(91) 124-4319685/6

Toll Free: 1800 103 2244

kohler.com

THE BOLD LOOK  
OF **KOHLER**®

©2006 Kohler Co.