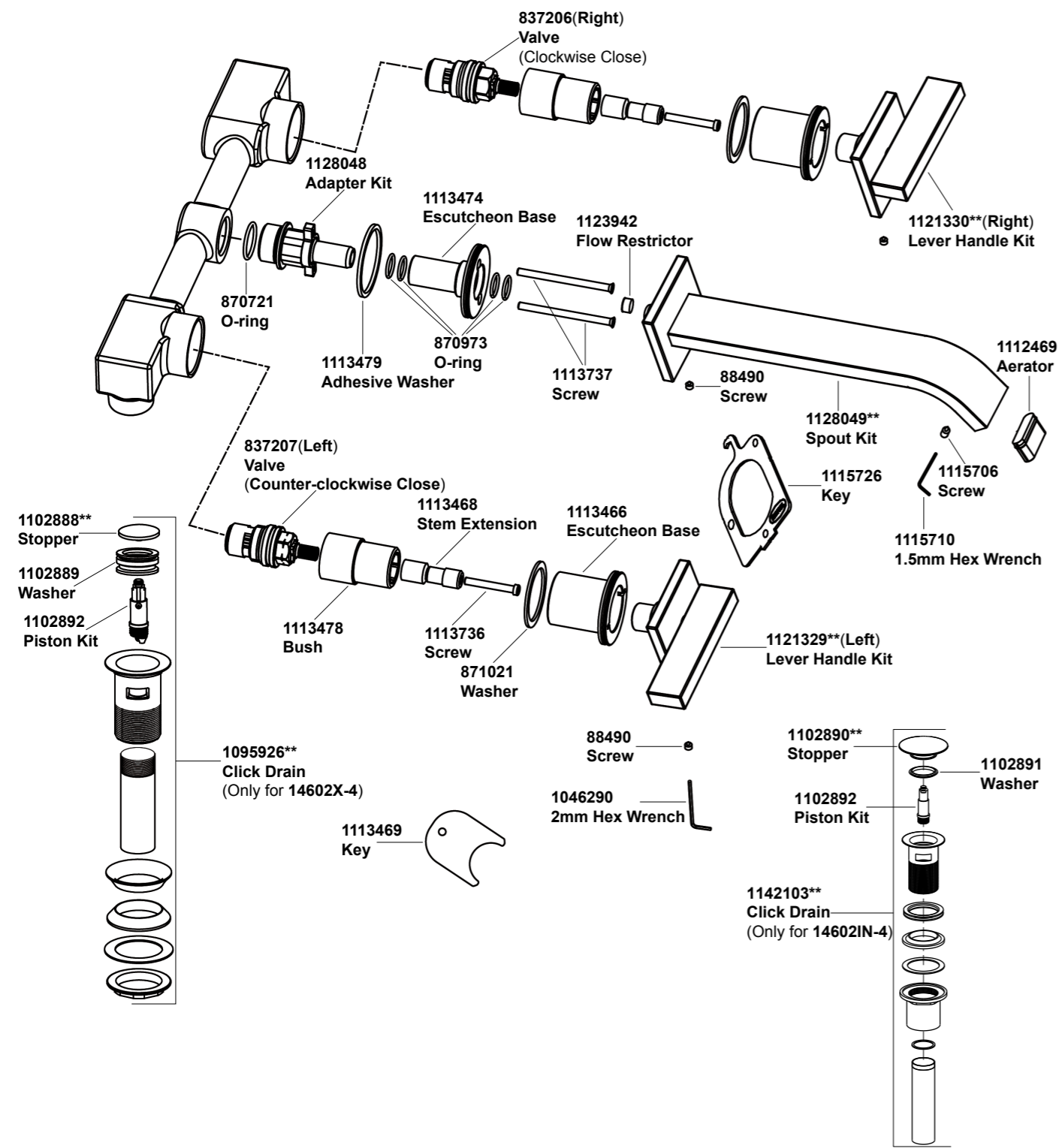


14602-4 RECESSED DUAL-HANDLE LAV FAUCET



\*\*Color code must be specified when ordering

14602-4 RECESSED DUAL-HANDLE LAV FAUCET

**BEFORE YOU BEGIN**

All information is based on the latest product information available at the time of publication. Kohler Co. reserves the right to make changes in product characteristics, packaging, or availability at any time without notice.

Please leave these instructions for the consumer. They contain important information.

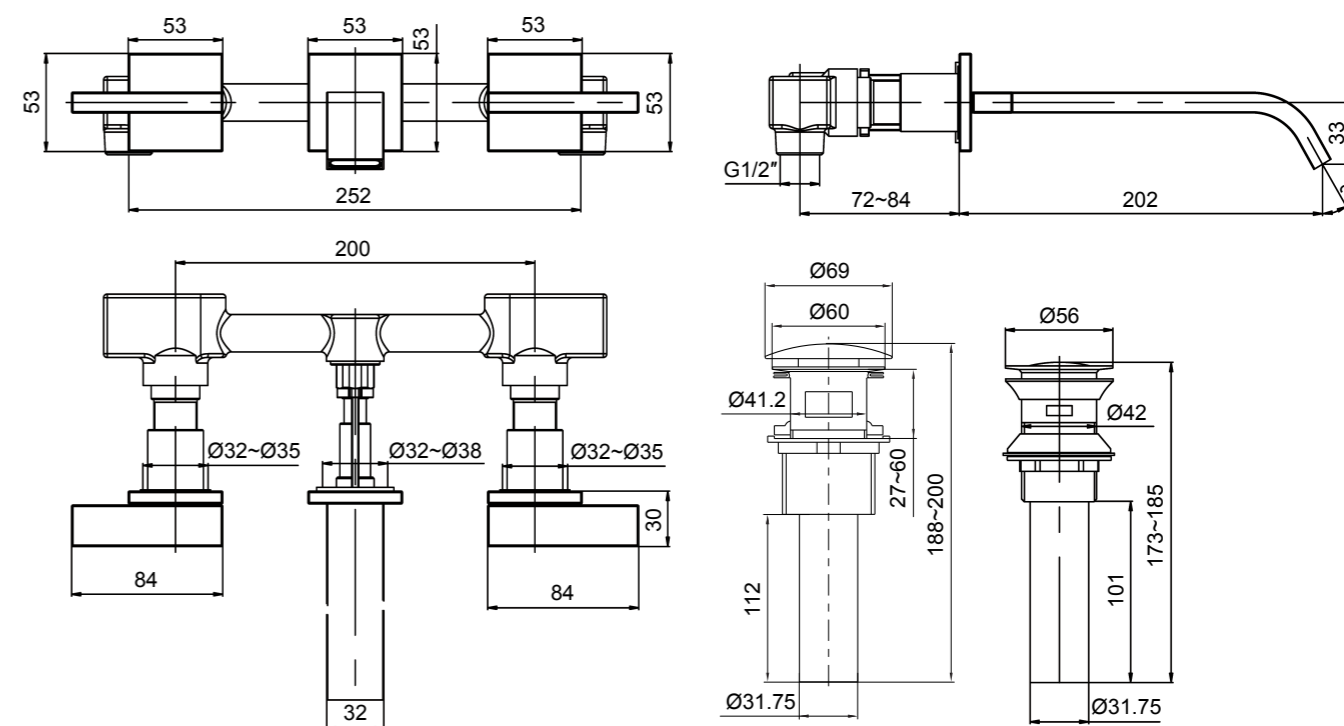
**NOTES:**

1. Flush the water supply pipes thoroughly to remove debris.
2. Inspect the supply tubing for damage. Replace as necessary.
3. Check for leaks before cover the pipes, repair as needed.
4. Do not remove the plaster guard from the valve body until instructed to.
5. **The highest working pressure for faucet is 0.4Mpa(4 bars). If it exceeds 0.4Mpa(4 bars), a pressure reducer is needed. Or maybe damage the faucet.**

**HANDLE OPERATION**

Right handle opens with turning counter-clockwise. Left handle opens with turning clockwise.

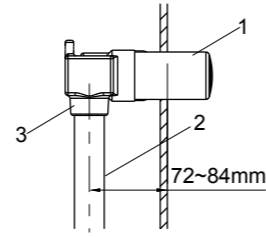
**ROUGH-IN DIMENSIONS**



## INSTALLATION

### How to Install The Yoke

Do not take off guards(1) at this moment. Connect the G1/2" water supply pipes(2) to the yoke(3). Keep the distance from centerline of the water supplies to the surface of the finished wall must be between 72mm and 84mm. Make sure the left supply pipe is the hot supply and connected to the inlet of the yoke with red mark.



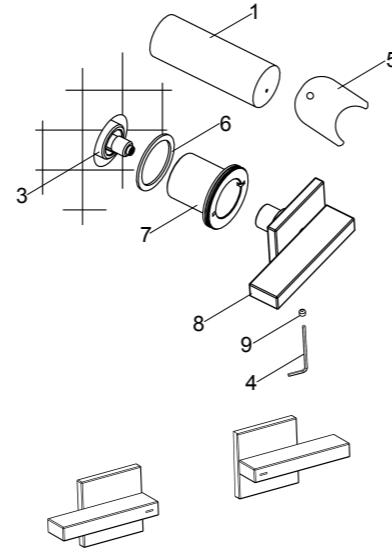
### How to Install The Handles

Remove and discard the guards(1) from the yoke(3) after completed the finished wall.

Put the rubber washers(6) into the rear groove of the escutcheon bases(7). Screw the escutcheon bases onto the yoke(3) until against the finished wall with the key(5).

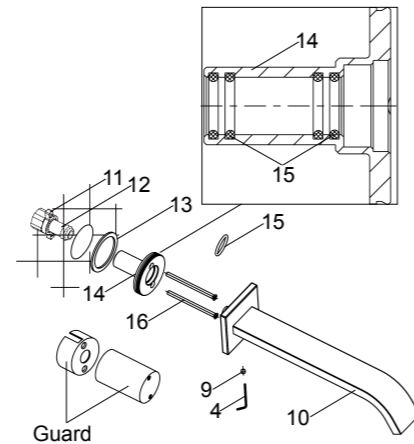
Keep screw holes facing downwards, place the handle kits(8) onto the escutcheon bases with the valves closed. (**Note:** The handle kit with red mark should be installed on the left side). Secure handle kits by tightening the screws(9) with 2mm hex wrench(4).

The illustration shown is the correct position of the handles in the off position.



### How to Install The Spout

Remove and discard the guards from the yoke after completed the finished wall. Stick the adhesive washer(13) onto the rear of the escutcheon base(14). Check if the o-rings(15) are in the grooves of escutcheon base as figure shown. Put escutcheon base onto the spout adapter(12) until against the finished wall. Tighten the screws(16) onto thread ring(11) through escutcheon base. Install the spout kit(10). Tighten the screw(9) with 2mm hex wrench(4).



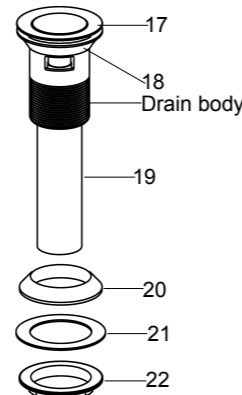
**NOTE:** The spout kit bottom with flow restrictor, it can't be taken out, it must be clear regularly.

### How To Install The Drain Only For 14602X-4

Remove the locknut(22), plastic washer(21), rubber gasket(20) and tailpiece(19) from the drain body. Supply enough tape or sealant to tailpiece thread. Reinstall the tailpiece. Insert the drain body into the lavatory. Put the rubber gasket(Tapered side up), plastic washer and locknut back to the drain body in turn. Tighten the clocknut.

**NOTE:** If needed, apply a ring of plumbers putty or other sealants around the underside of the drain flange(17), instead of using rubber washer(18).

Do not reposition the drain after the locknut is tightened, or you may break the putty or sealant seal.

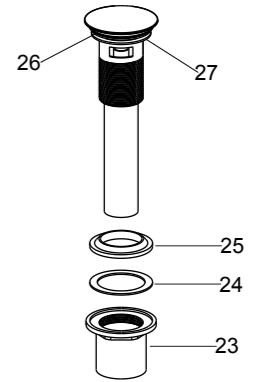


### Only For 14602IN-4

Remove the locknut(23), plastic washer(24) and the rubber gasket(25) from the drain body. Insert the drain body into the lavatory. Install the rubber gasket (Tapered side up), plastic washer and locknut back to the drain body in turn. Tighten the locknut.

**NOTE:** If needed, apply a ring of plumbers putty or other sealants around the underside of the drain flange(26), instead of using rubber washer(27).

Do not reposition the drain after the locknut is tightened, or you may break the putty or sealant seal.

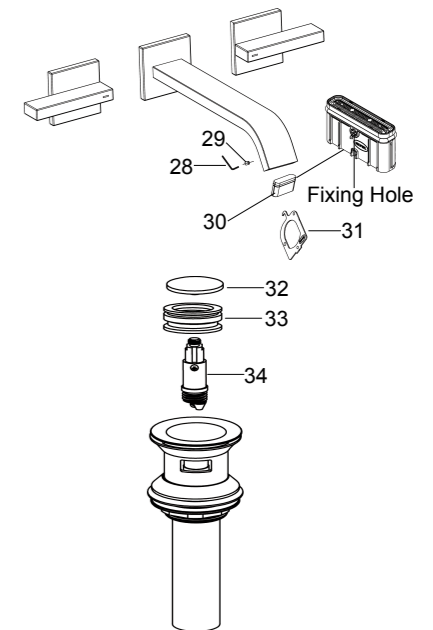


## INSTALLATION CHECKOUT

Ensure that all connections are tight. Ensure that the handles are in the off position.

Open the drain. Turn on main water supply and check for leaks. Repair as required.

Loosen screw(29) with 1.5mm hex wrench(28). Remove the aerator(30) carefully with key(31). Turn on the faucet. Run the water through the spout for about one minute to remove any debris. Remove any debris from the aerator. Shut off the faucet. Keep the fixing hole facing downwards, reinstall the aerator.



### Replacing The Washer And Piston Kit

Turn counter-clockwise to remove the stopper(32). Take out washer(33). Replace with a new one. Turn counter-clockwise to remove the piston kit(34). Replace with a new one. Reinstall stopper and washer.

## CLEANING INSTRUCTIONS

All Finishes: Clean the finish with mild soap and warm water. Wipe entire surface completely dry with clean soft cloth. Many cleaners may contain chemicals, such as ammonia, chlorine, toilet cleaner etc. which could adversely affect the finish and are not recommended for cleaning.

Do not use abrasive cleaners or solvents on Kohler faucets and fittings.