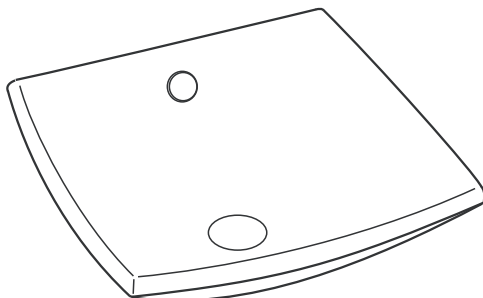


KOHLER®



P4144005

Escal Vessel

Installation and User Guide

MODEL NUMBERS

19047W

Important:- Please quote the above model number(s) when ordering spares.

IMPORTANT !

Installer: This manual is the property of the customer and must be retained with the product for maintenance and operational purposes.

CONTENTS

DESCRIPTION	3
SAFETY: WARNINGS.....	3
DIMENSIONS.....	4
SPECIFICATION	4
Plumbing Connections	4
INSTALLATION	5
Before You Begin	5
Install the Washbasin	6
Install the Plumbing	8
USER MAINTENANCE	9
Cleaning	9
CUSTOMER SERVICE	10
Limited One-year Warranty	10

DESCRIPTION

The Escale Vessel is a vitreous china washbasin, designed for installation into a pre-cut counter.

SAFETY : WARNINGS

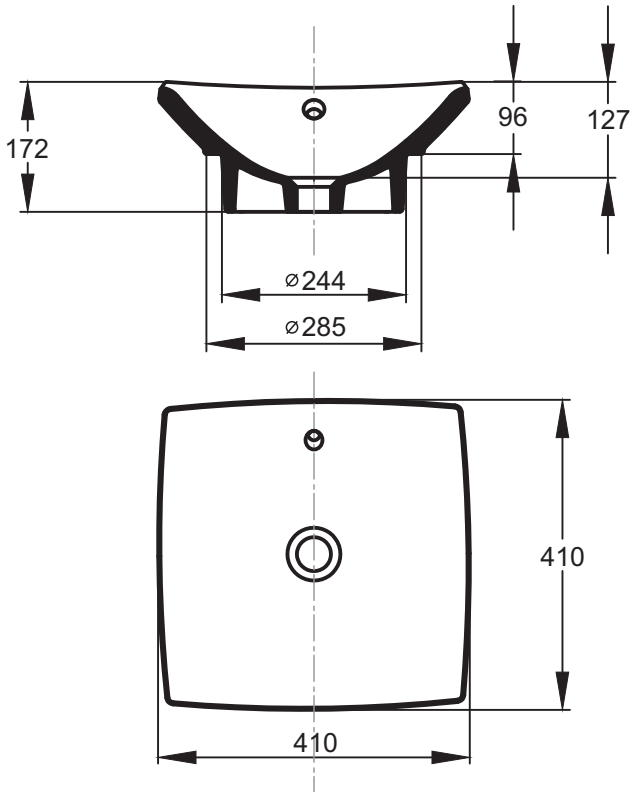
Kohler products are precision-engineered and should give continued superior and safe performance, provided:

1. They are installed, commissioned, operated and maintained in accordance with the recommendations given in this Manual.
2. Periodic attention is given, as necessary, to maintain the product in good functional order. Recommended guidelines are given in the **MAINTENANCE** section.

Carefully inspect the new fixture for any signs of damage.

When installing Kohler Products, manufacturers guidelines for power tool safety should be followed.

DIMENSIONS



19047W

SPECIFICATION

Plumbing Connections

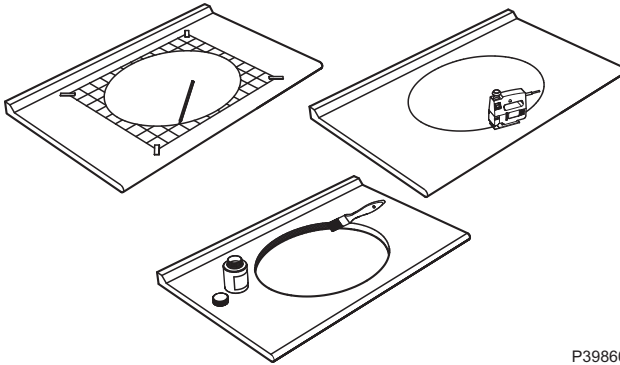
Hot (H) and Cold (C) inlets must be connected to the correct inlet pipes.

INSTALLATION

Before You Begin

1. Turn off the water supply.
2. Before installation carefully inspect the new fixture for any signs of damage.

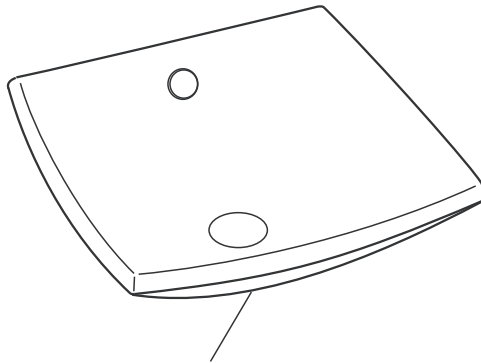
Install the Washbasin



P3986020

1. Secure the installation template to the counter and mark around the template with a pencil.
2. Remove the template and cut a hole in the counter with a suitable power tool (jigsaw etc.).
3. Coat the underside of the cutout with a suitable varnish, in accordance with the manufacturer's instructions.
4. Install the services.

Note! The hot and cold water supplies must be installed with isolating valves.

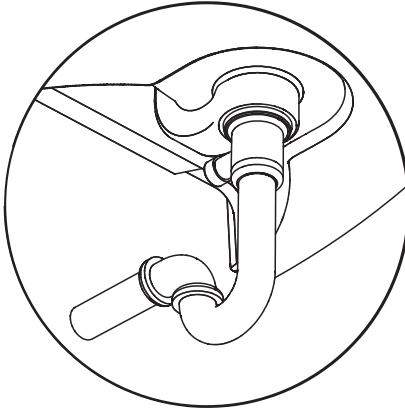


Apply Silicone Sealant
Under Rim of Basin

P4144030

5. Apply silicone sealant in accordance with the manufacturer's instructions, under the rim of the washbasin.
6. Carefully position the washbasin into the cutout.
7. Remove any excess silicone sealant.

Install the Plumbing



P4144040

1. Install the drain in accordance with the manufacturer's instructions.

Caution! Make sure a watertight seal exists on all washbasin drain connections.

Caution! Provide access to the plumbing connections for future plumbing maintenance.

2. Connect the hot and cold water supplies.
3. Open the hot and cold water valves and check the supply connections for any leaks.
4. Run water into the washbasin and check the drain connections for any leaks.

USER MAINTENANCE

Cleaning

Caution! Risk of product damage. Many cleaners contain abrasive and chemical substances, and should not be used for cleaning stainless steel, enamel, plated or plastic fittings. These finishes should be cleaned using a mild washing up detergent or soap solution, rinsed and then wiped dry with a soft clean cloth.

CUSTOMER SERVICE

Limited One-year Warranty

Kohler plumbing fixtures and fittings are warranted to be free of manufacturing defects.

Kohler Co. will, at its election repair, replace, or make appropriate adjustment where Kohler Co. inspection discloses any such defects occurring in normal usage within one year after installation. **Kohler Co. is not responsible for installation costs.**

To obtain warranty service, contact Kohler Co. either through your Dealer or Plumbing Contractor or by writing Kohler Co., Attn: Consumer Affairs Department, Kohler, WI 53044 U.S.A.

Implied warranties, including that of merchantability and fitness for a particular purpose, are expressly limited in duration to the duration of this warranty. To the extent permitted by law, Kohler Co. disclaims all implied warranties including merchantability and fitness for a particular purpose. Kohler Co. disclaims any liability for special, incidental, or consequential damages.

Some states do not allow limitations on how long an implied warranty lasts or the exclusion or limitation of incidental or consequential damages, so this limitation and exclusion may not apply to you. This warranty gives you specific legal rights. You may also have rights which vary from state to state.

This is our exclusive written warranty.

Kohler Co., Kohler, Wisconsin 53044