

A	C1	C2	C3	D	D1	E	J	K	P	Q	N	S	U	X
370	200	140±5	185	80	102	Ø55	350	450	270	320	170	510	255±5	Ø25

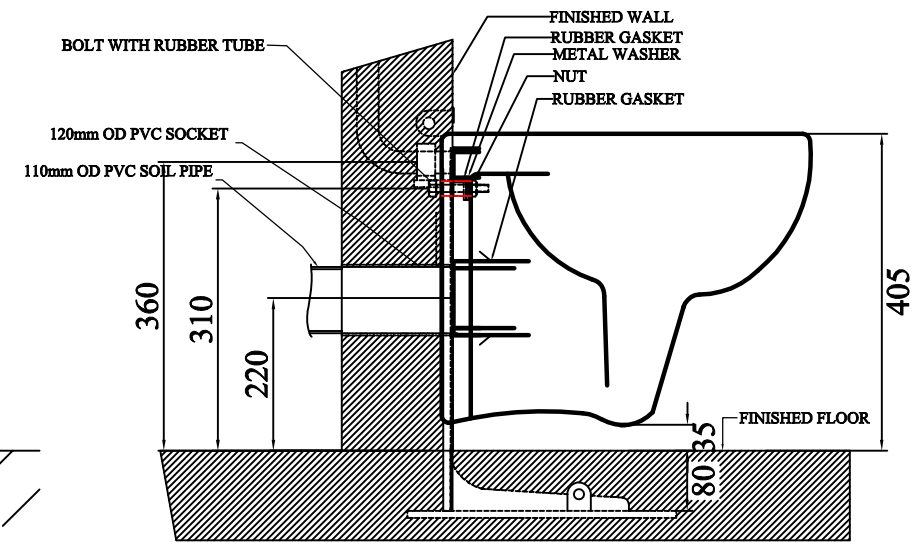
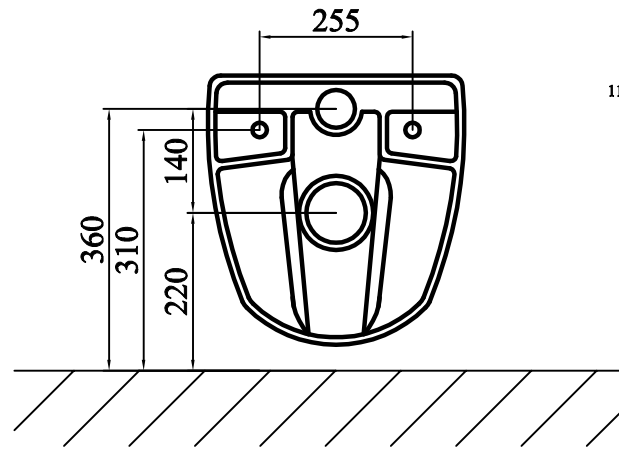
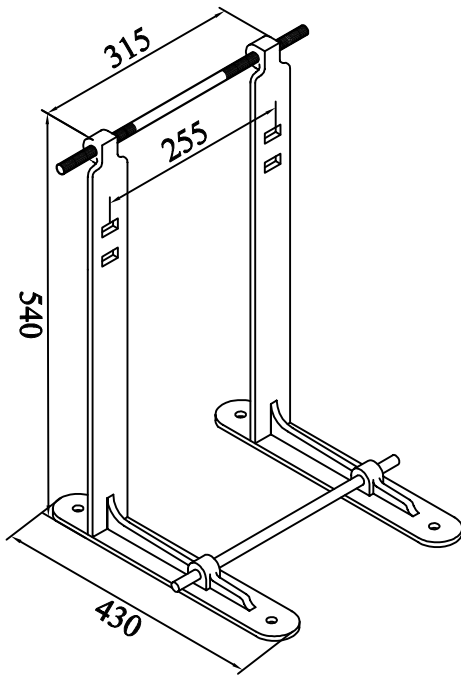
**CERA**

**CERA SANITARYWARE LTD.**

DRN Chintan  
DGN  
CHD MNT

TITLE:-  
2011A- Campbell Mini  
Wall Hung

SCALE : nil  
APP  
DATE : 12/5/2017



CERA SANITARYWARE LTD.			<b>CERA</b>
DRN	Chintan	TITLE	SCALE
DGN		2011A- Campbell Mini Wall Hung Installation	APP
CHD	MNT		DATE :-12/5/2017