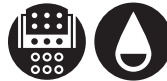


LN Series
Single Lever Lavatory Faucet
(w/ pop-up)



Features

- Design Concept is Life and Nostalgia
- TOTO original cartridge for smooth control
- High corrosion resistance plating
- TOTO aerated water technology, ECOCAP adds air to the water to achieve full water jet with less amount of water usage.

Specifications

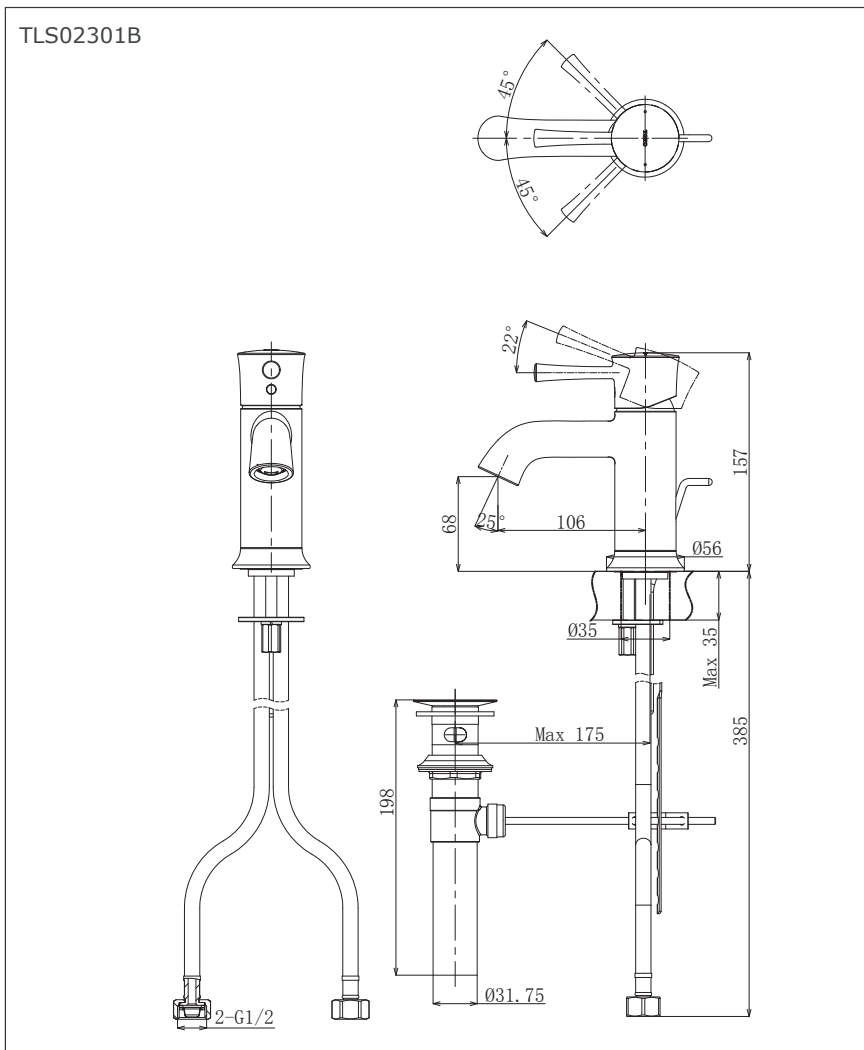
Finish : Chrome

Material : Brass

Water Pressure : 0.05 ~ 1.0 Mpa

Parts Description

- **TLS02301B**
Single Lever Lavatory Faucet
(w/ pop-up)



Please consult a TOTO representative for details

Flow Rate

