

LN Series 2 Handle Lavatory Faucet (3 hole)



TOTO
GREEN
CHALLENGE



TLS02201B

Features

- Design Concept is Life and Nostalgia
- Safety control with heat insulating handle
- High corrosion resistance plating
- TOTO aerated water technology, ECOCAP adds air to the water to achieve full water jet with less amount of water usage.

Specifications

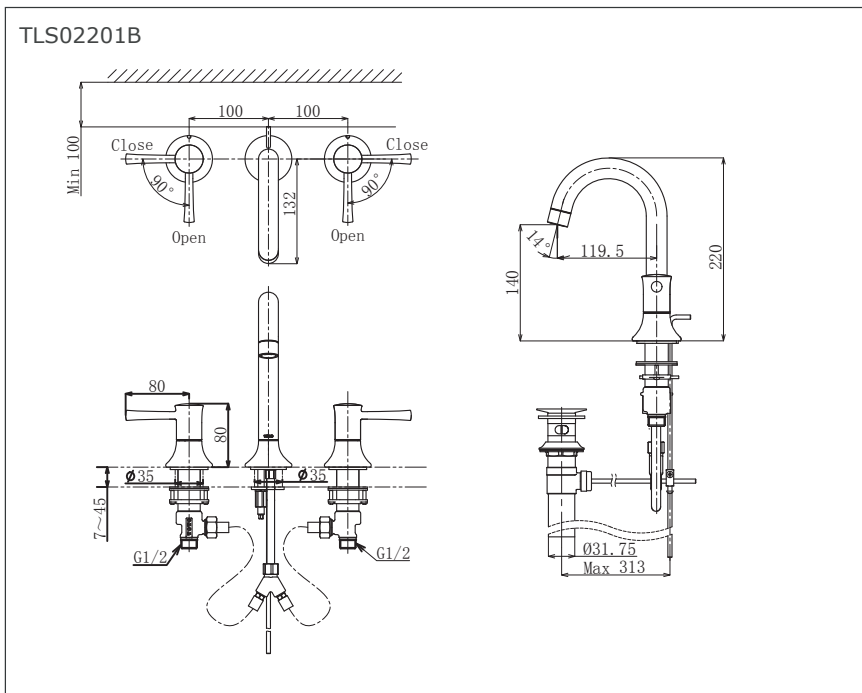
Finish : Chrome

Material : Brass

Water Pressure : 0.05 ~ 1.0 Mpa

Parts Description

- **TLS02201B**
2 Handle Lavatory Faucet
(3 hole)



Please consult a TOTO representative for details

Flow Rate

