

RUFICE

Concealed Bath and Shower Mixer



Features

- New design of modern elegance
- Durable finishes
- Smooth operation with lever type

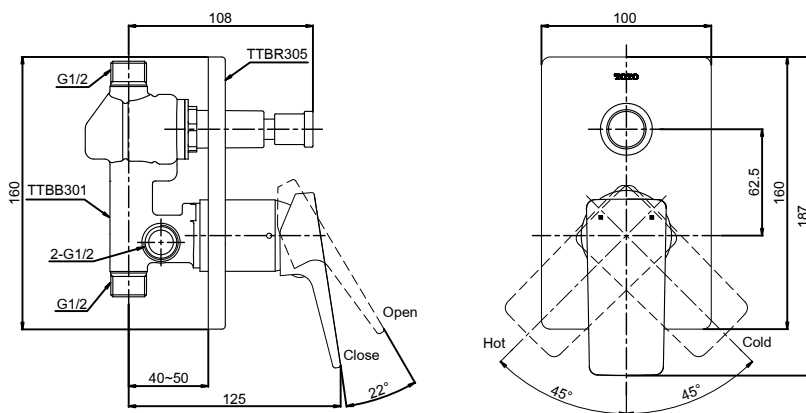
Specifications

Water Pressure : 0.05MPa~0.75MPa

Finish : Nickel Chrome

Material : Brass

TTBR305/TTBB301



Parts Description

- **TTBR305/TTBB301**
Concealed Bath and Shower Mixer

Please consult a TOTO representative for details