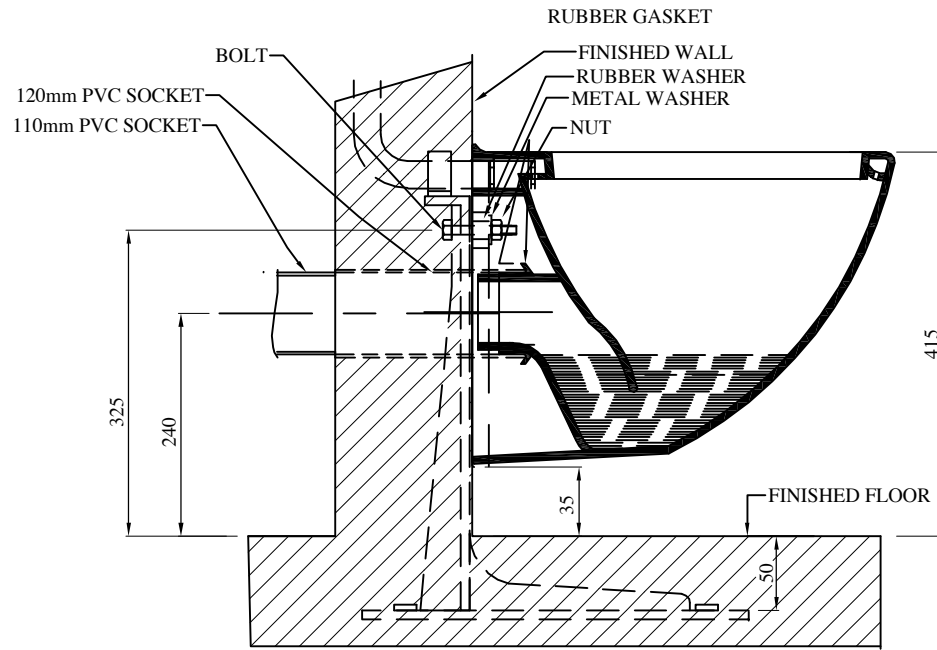
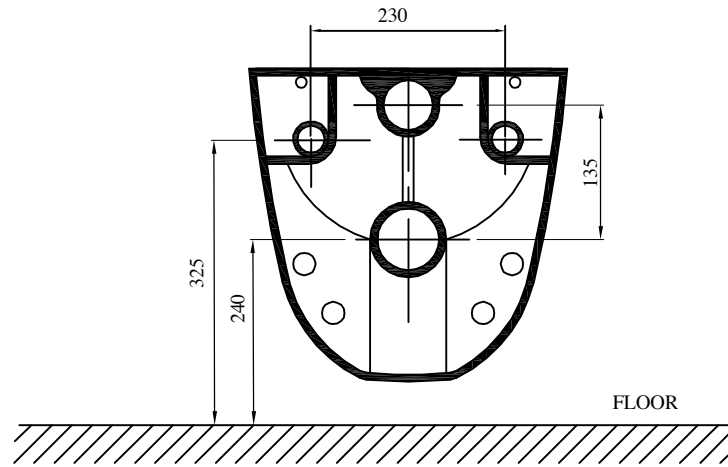
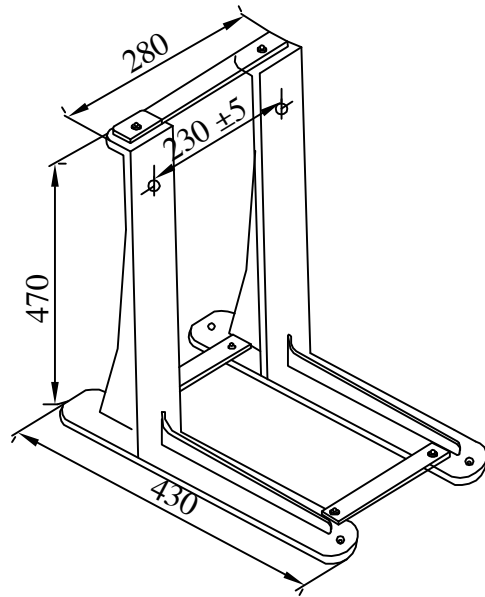


A	C1	C2	C3	D	D1	J	K	N	P	Q	S	U	X
380	175	135	205	80 min	102	365	425	160	265 min	320 min	510	230 ±5	Ø25

CERA SANITARYWARE LTD.
2030 EWC WALL HUNG CARNIVAL





CERA SANITARYWARE LTD. KADI
2030 EWC WALL HUNG INSTALLATION (CARNIVAL)

