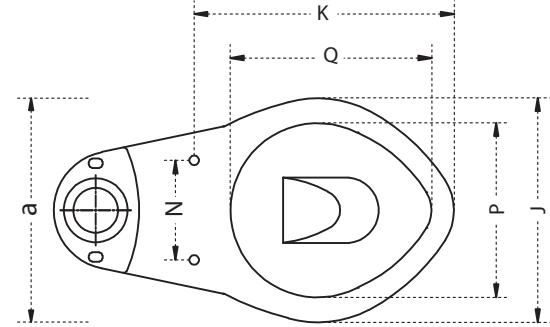
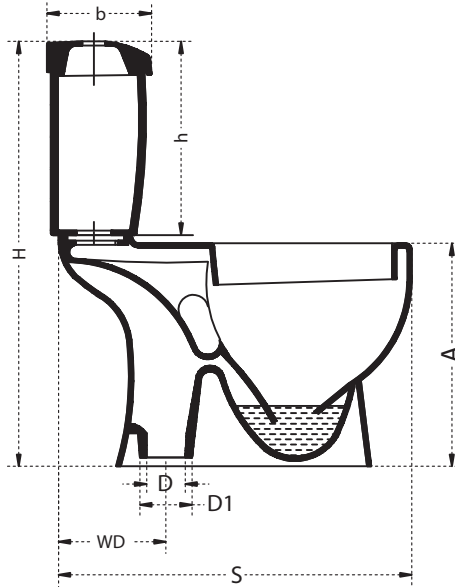


3100 Callaghan



	A	D	D1	H	J	K	P	Q	N	S	WD	a	b	h
S trap	400	75	97	770	365	425	260	305	160	650	200 ^{±10}	405	180	360