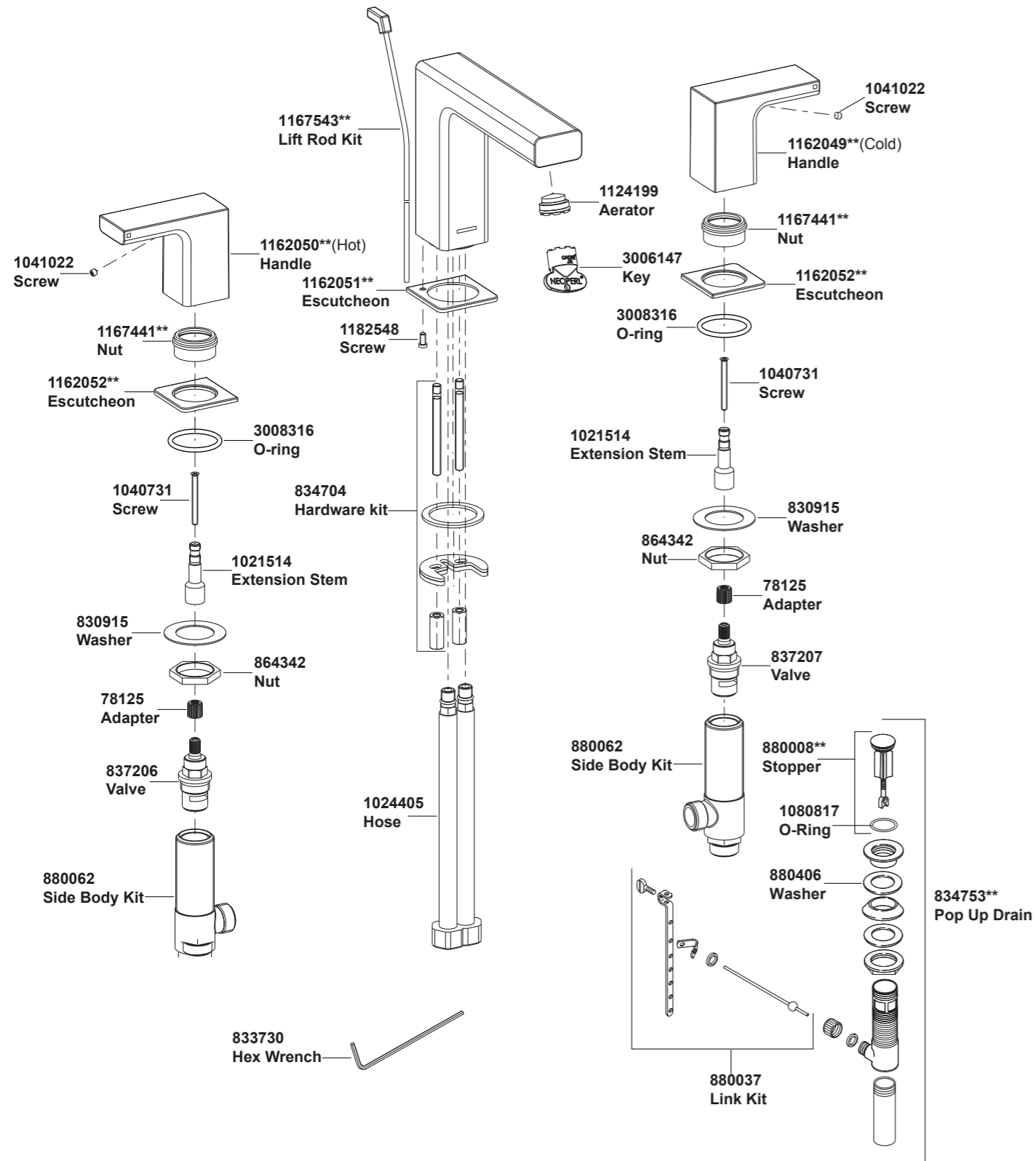


37331-4/4ND 8" WIDESPREAD LAVATORY FAUCET



**Color code must be specified when ordering

37331-4/4ND 8" WIDESPREAD LAVATORY FAUCET

BEFORE YOU BEGIN

All information is based on the latest product information available at the time of publication. Kohler Co. reserves the right to make changes in product characteristics, packaging, or availability at any time without notice.

Please leave these instructions for the consumer. They contain important information.

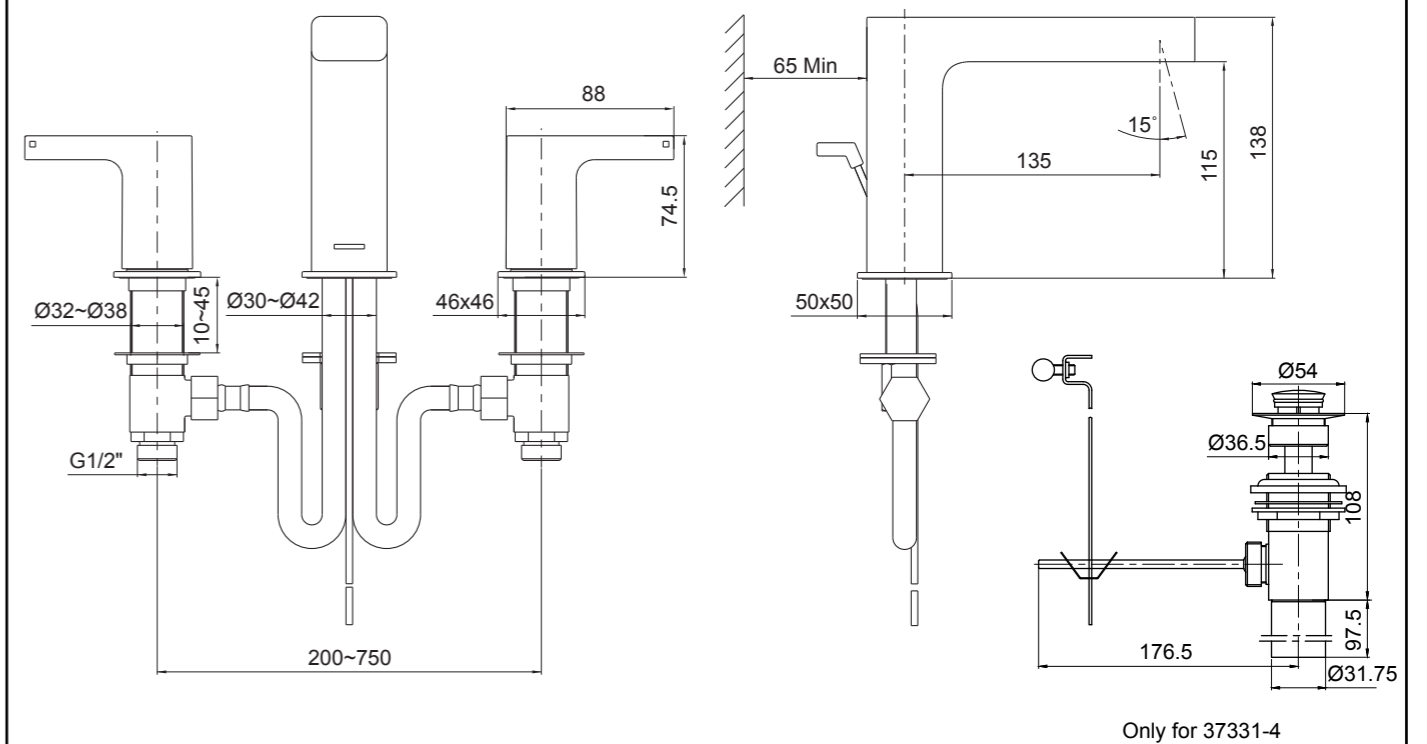
NOTES:

1. Flush the water supply pipes thoroughly to remove debris.
2. If possible, install this faucet before installing the lavatory.
3. Inspect the supply tubing for damage and leakage. Replace and maintain as necessary.
4. Observe local plumbing codes.
5. Shut off the water supplies to the fitting.

HANDLE OPERATION

Right handle opens with turning clockwise. Left handle opens with turning anticlockwise.

ROUGH-IN DIMENSIONS

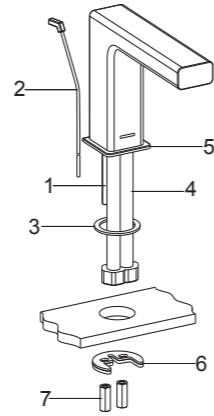


Only for 37331-4

INSTALLATION

How To Install The Spout

Screw the stud(1) to the thread hole on the bottom of faucet. Insert the lift rod(2) into the hole at the rear of the body assembly. Put the washer(3) into groove on the bottom of escutcheon(5) through the flexible hoses(4) and the stud. Insert hoses and stud into the central hole of lavatory. Position the faucet. From underside of the lavatory, fit the brackets (6)(Rubber washer is on the top) onto the stud. Secure the faucet by tightening nuts(7).

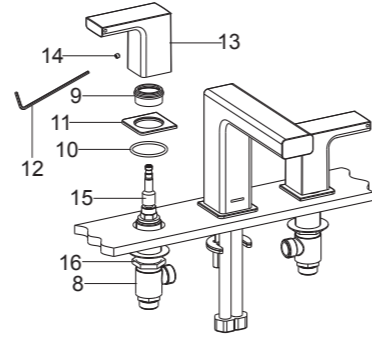


How to Install The Side Bodies And The Handles

Remove the nut(9) from each side body (8). Put the o-rings(10) into groove on the bottom of escutcheons(11). Insert side bodies through mounting holes from bottom of the lavatory (**NOTE:** The valve body with red dot should be installed on the left when facing the front of the faucet, and the valves are in the closed position before installing them.).

Install the escutcheon onto each side body. Tighten the nut(9) onto each side body to secure the escutcheon. Loosen the screws(14) in the handles(13) with the hex wrench(12), then press the handles onto the extension stems (**NOTE:** The handle with red mark should be installed on the left when facing the front of the faucet, and the valves are in the closed position before installing them.). Tighten the screws (14) to secure the handles with the hex wrench. Wrench tighten the nuts(16).

Attach the hoses to the side bodies. When facing the front of the faucet, the left hose connects to the left side body, the right hose connects to the right side body.

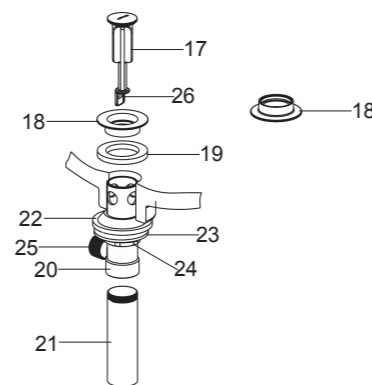


How to Install The Drain

Take off the stopper(17), drain flange (18) and washer(19) from drain body(20). Slide washer onto the underside of the drain flange. Take off the tailpiece(21) from the drain body. Supply enough tape or sealant to tailpiece thread. Reinstall the tailpiece. With the gasket(22), steel washer(23) and locknut(24) on the drain body, insert it into the bidet from underside with the drain lever hole(25) facing the rear.

NOTE: If needed apply a ring of plumbers putty around the underside of the drain flange(18), instead of using washer(19).

Thread the drain flange onto the drain body. Tighten the locknut by hand from the underside. Place stopper into drain body aligning the flat side of stopper hole(26) with the drain lever hole.



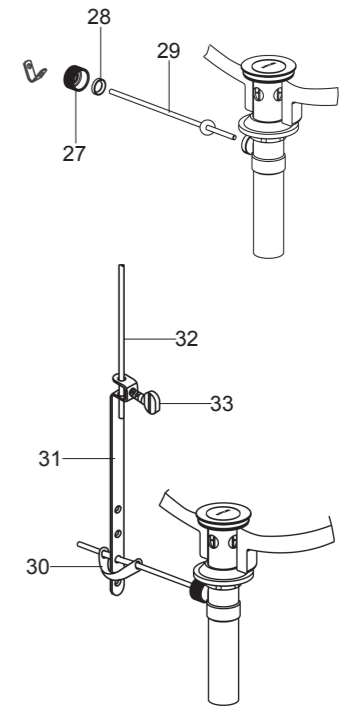
Remove the retaining nut(27). Fit the plastic washer(28) and retaining nut onto the ball lever(29). Insert the ball lever assembly into the drain lever hole and through the stopper hole. Tighten the retaining nut.

Be sure that the ball lever rod points to the back of the bidet, tighten the locknut on the drain body. Remove any excess putty.

NOTE: Do not reposition the drain after the locknut is tightened, or you may break the putty seal.

Connect the link(31) onto ball lever rod with "V"-clip(30). Insert the lift rod(32) into the link of the drain through the hole on the rear of the spout. Position the lift rod, ensure the distance between the lift rod knob and the body is about 72mm.

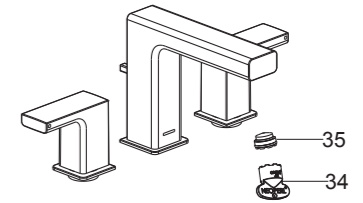
Push the ball lever rod down to the open position. Tighten thumb screw(33).



Ensure that all connections are tightened and the handle is in the off position.

Open the drain. Turn on main water supply and check for leaks. Repair as required.

Remove the aerator(35) with the key(34). Turn the faucet handle on. Run hot and cold water through the spout for about one minute to remove any debris. Remove debris from the aerator. Shut off the faucet and reinstall the aerator.



CLEANING INSTRUCTIONS

All Finishes: Clean the finish with mild soap and warm water. Wipe entire surface completely dry with clean soft cloth. Many cleaners may contain chemicals, such as ammonia, chlorine, toilet cleaner etc. which could adversely affect the finish and are not recommended for cleaning.

Do not use abrasive cleaners or solvents on Kohler faucets and fittings.