

# KOHLER®

## INSTALLATION INSTRUCTIONS

45429IN 45431IN  
16356IN-A

SHOWERHEAD WITH ARM & ESCUTCHEON

### BEFORE YOU BEGIN

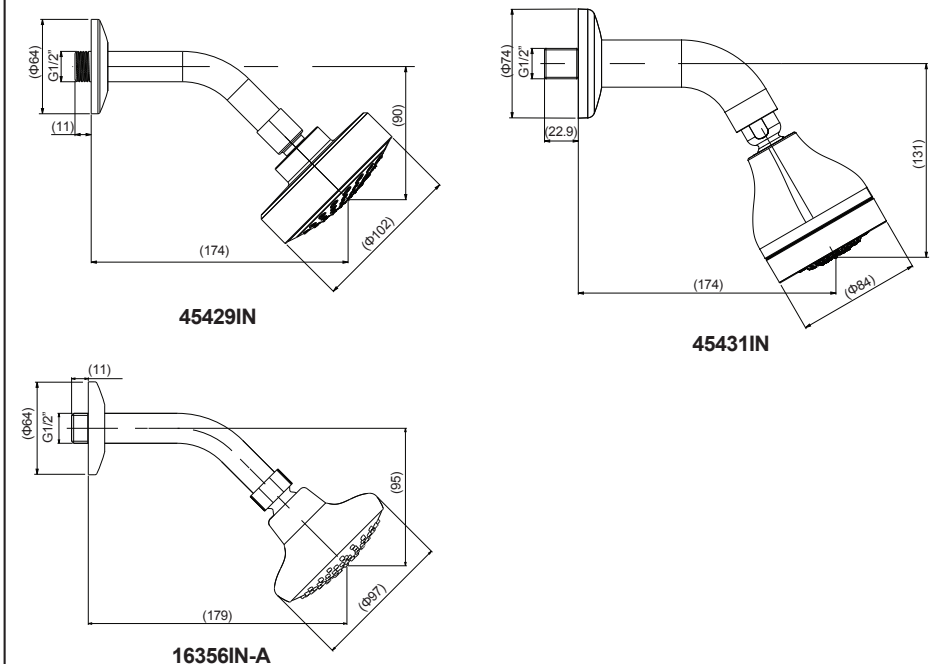
All information is based on the latest product information available at the time of publication. Kohler Co. reserves the right to make changes in product characteristics, packaging, or availability at any time without notice.

Please leave these instructions for the consumer. They contain important information.

#### NOTE:

1. Observe all local plumbing and building codes.
2. Flush the water supply pipes thoroughly to remove any debris.
3. Highest working pressure for handspray & shower head is 0.5MPa (5 bar). If it exceeds 0.5MPa(5 bar), a pressure reducer is needed. The highest and environment temperature is 60°C. Please keep handspray, shower head and shower arm away from heater, or it may get damaged and cause injury to the user.

### ROUGH-IN DIMENSIONS



# KOHLER®

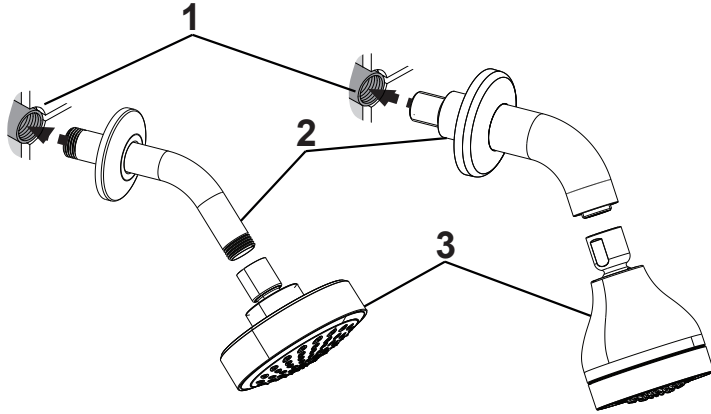
Kohler India Corporation Pvt. Ltd.  
6th Floor, Office Block  
Ambiance Mall, Ambi Island, NH-8  
Gurgaon-122002  
Haryana, India

Customer Care No : 1800 103 2244 (Toll Free) & +91-124-4319685 / 86  
Customer Care Email : [indiacustomercare@kohler.com](mailto:indiacustomercare@kohler.com)  
[www.kohler.co.in](http://www.kohler.co.in)

## INSTALLATION

Remove the temporary nipple. Slide the escutcheon over the shower arm(2). Apply tape or sealant to the shower arm, and install the shower arm into the shower elbow(1). Tight with a strap wrench. Push the escutcheon against the wall.

Flush both water supplies through the shower arm for one minute before the shower head is installed. Apply tape or sealant to the exposed end of the shower arm. Tighten the showerhead(3) with a strap wrench.



## CLEANING INSTRUCTIONS

All Finishes: Clean the finish with a mild soap and warm water. wipe entire surface completely with a clean soft cloth. Many cleaners may contain chemicals, such as ammonia, chlorine, toilet cleaner etc.,

Do not use abrasive cleaners or solvents on Kohler faucets and fittings.

To dislodge debris and mineral build-up:

Run water through the showerhead.

Firmly rub your finger back and forth across the spray holes in the showerhead face

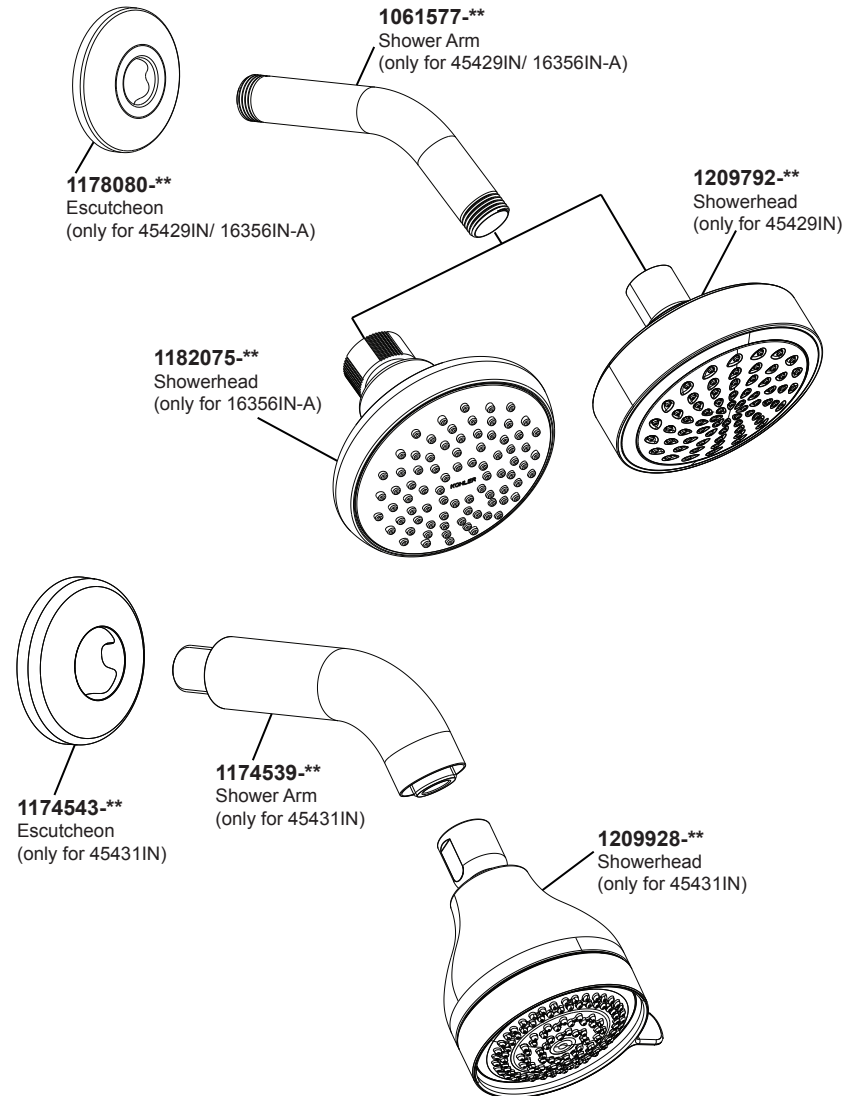


# KOHLER®

## SERVICE PARTS

45429IN 45431IN  
16356IN-A

## SHOWERHEAD WITH ARM & ESCUTCHEON



\*\*Color code must be specified when ordering