

### 8160 8161 BATH SPOUT

#### BEFORE YOU BEGIN

All information is based on the latest product information available at the time of publication. Kohler Co. reserves the right to make changes in product characteristics, packaging, or availability at any time without notice.

Please leave these instructions for the consumer. They contain important information.

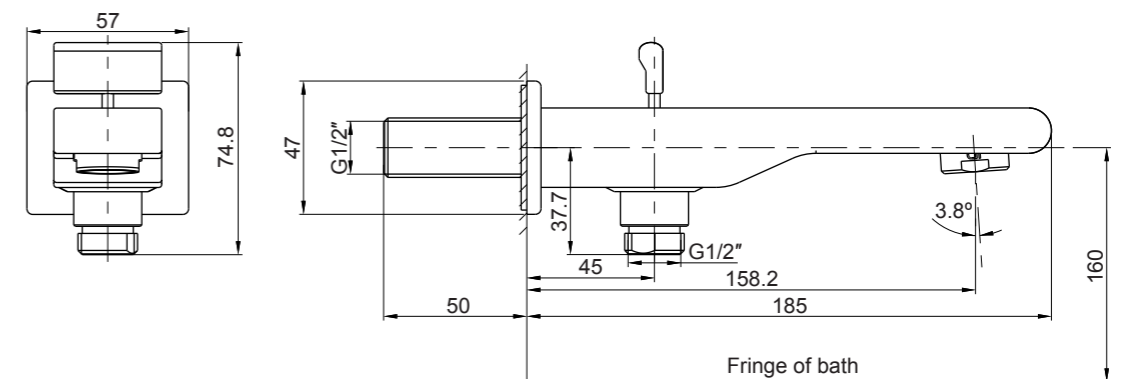
#### NOTE:

1. Flush the water supply pipes thoroughly to remove any debris.
2. Shut off the water supplies to the fitting.
3. Observe all local plumbing and building codes.
4. The minimum inlet water pressure for the diverter is 0.05MPa(0.5bar).
5. Maximum working pressure for spout: 0.5MPa(5bar).

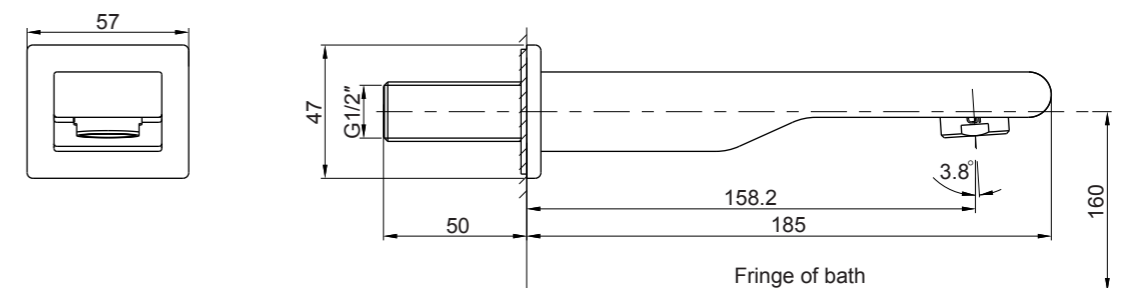
#### OPERATION INSTRUCTION

For 8160, open the faucet, bath spout works; lift the diverter gently, turns clockwise for shower; shut off the faucet, turns counter-clockwise until it stops.

#### ROUGH-IN DIMENSIONS



**8160**



**8161**

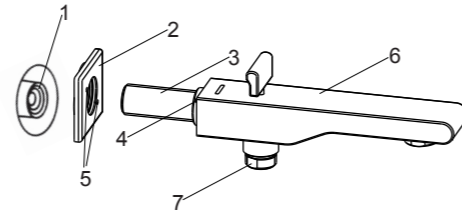
## INSTALLATION

To perform installation, installer must provide G1/2" female supply fitting(1), keep proper position in the wall.

Carefully slide the escutcheon kit(2) to shank(3) of the spout. Aligning the pin holes(5) with the pins(4).

Apply tape or thread sealant to G1/2" nipple threads of the spout kit(6). Thread the spout kit to the G1/2" nipple. Tighten by strap wrench. Adjust the spout downwards. Remove any excess putty.

The connector(7, only for 8160) will be used to connect handspray.

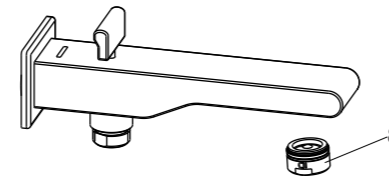


## INSTALLATION CHECKOUT

Ensure that all connections are tightened.

Open the drain. Turn on the main water supply and check for leaks. Repair as required.

Remove the aerator assembly(8). Run the hot and cold water through the spout for about one minute to remove any debris. Check for leaks at this time. Remove debris from the aerator assembly. Shut off water supply and reinstall the aerator assembly.

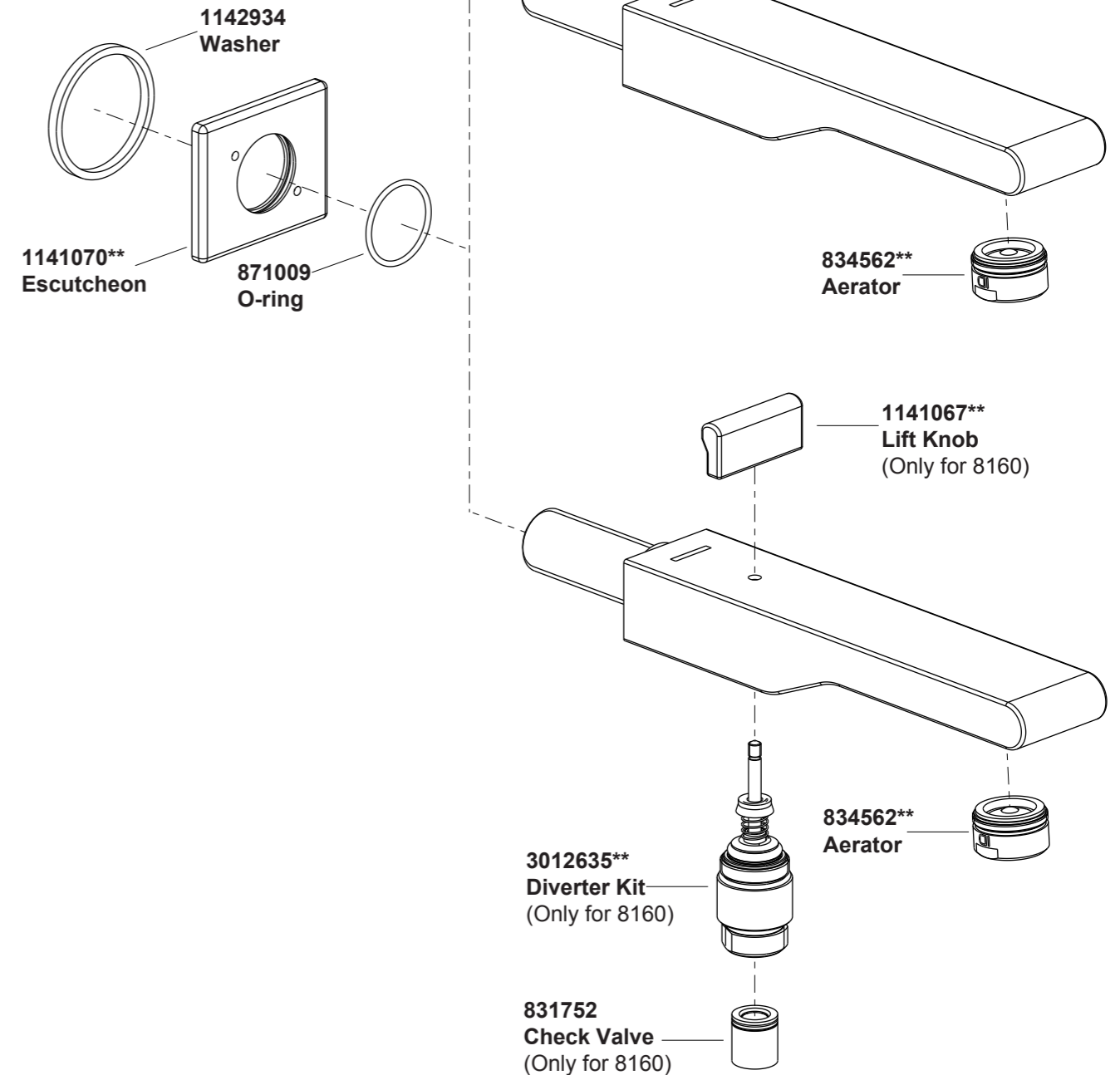


## CLEANING INSTRUCTIONS

All Finishes: Clean the finish with mild soap and warm water. Wipe entire surface completely dry with a clean soft cloth. Many cleaners may contain chemicals, such as ammonia, chlorine, toilet cleaner etc. Which could adversely affect the finish and are not recommended for cleaning.

Do not use abrasive cleaners or solvents on Kohler faucets and fittings.

### 8160 8161 BATH SPOUT



\*\*Color code must be specified when ordering