

16298IN-9/98754IN-4

WALL MOUNT BATH, DUAL-SHOWER FAUCET

8891IN-9/98755IN-4

WALL MOUNT BATH & SHOWER FAUCET

BEFORE YOU BEGIN

All information is based on the latest product information available at the time of publication. Kohler Co. reserves the right to make changes in product characteristics, packaging, or availability at any time without notice.

Please leave these instructions for the consumer. They contain important information.

NOTE :

1. Flush the water supply pipes thoroughly to remove debris.
2. The minimum work supply water pressure for the diverter is 0.05Mpa(0.5bar).

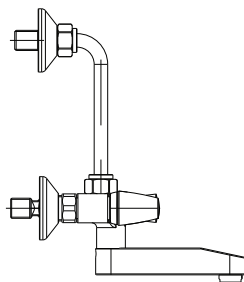
HANDLE OPERATION

For 16298IN-9 & 8891IN-9 both handles open with one-quarter turn counter-clockwise.

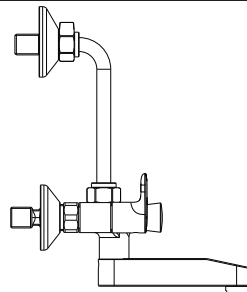
For 98754IN-4 & 98755IN-4 left handles open with one-quarter turn counter-clockwise, right handles open with one-quarter turn clockwise.

Left handle for hot water, right handle for cold water.

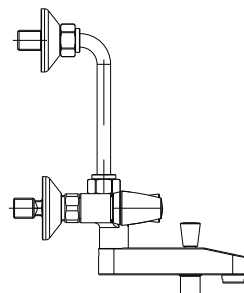
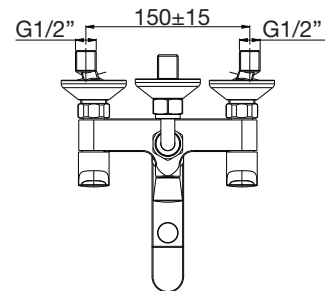
ROUGH-IN DIMENSIONS



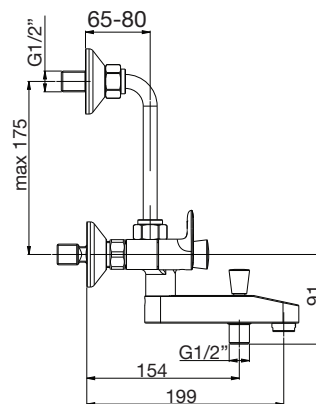
8891IN-9



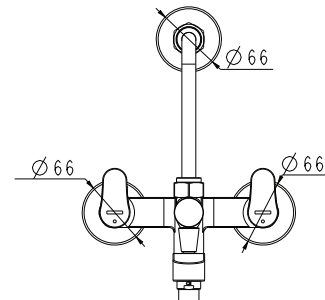
98755IN-4



16298IN-9



98754IN-4



INSTALLATION

How To Install The Faucet

To perform installation, installer must provide three G1/2" female supply fittings(1): hot, cold and showerhead. The layout and dimensions are shown on the right illustration. Hot and cold fittings should be spaced about 135-165mm apart, level. Hot supply pipe must be located on the left. Showerhead fitting should be in symmetrical middle and spaced from hot and cold fittings about 140-175 mm. All the fittings should be vertical and not extend beyond the finished wall surface.

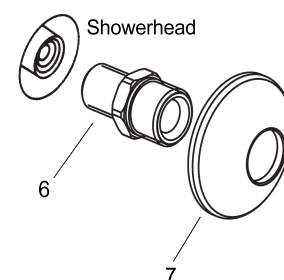
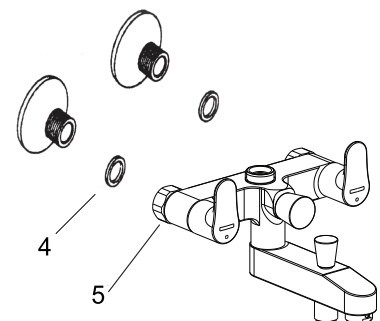
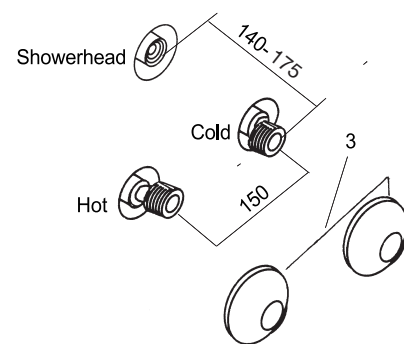
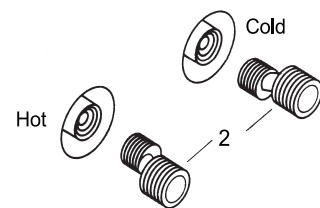
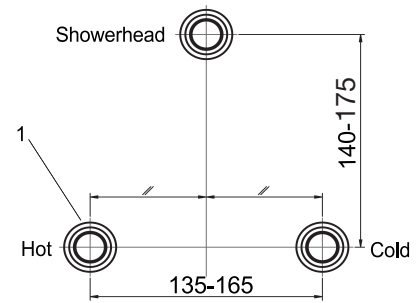
Use appropriate thread sealants or thread tape on connectors(2) threads. Install the two offset connectors into the hot and cold supply pipes.

Adjust the center-to-center distance between the connectors to 150mm and level, and are symmetrical from the showerhead fitting. They should extend 35 to 45 mm beyond the finished wall. Thread the escutcheons(3) onto the connectors until they are against the finished wall.

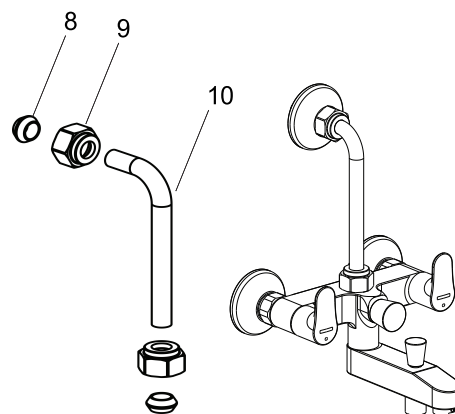
Put the washers(4) into the nuts(5), thread the nuts to connectors.

When tighten the nuts, use strap wrench or soft cloth between product and regular wrench to protect the finish.

Use appropriate thread sealants or thread tape on nipple(6) threads. Install the nipple onto the showerhead connection fitting, and extended length 30-35mm from finished wall surface. Thread the escutcheon(7) onto the nipple until it is against the finished wall.



Put the nuts(9) and oval seals(8) onto the both ends of the tube(10). Insert the tube into the upper-hole on the faucet body, and then the nipple. If it is necessary, adjust extending length for the nipple or cut off the tube. Tighten the both nuts.



INSTALLATION CHECKOUT

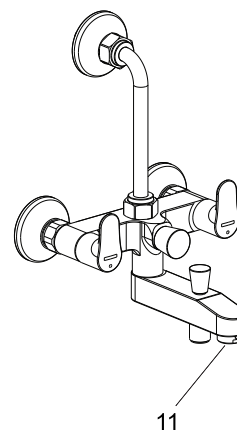
Ensure that all coupling nuts are tightened.

Ensure that the handles are in the off position.

Turn on the main water supply, and check for leaks. Repair as needed.

Bath and Shower Faucet:

Remove the aerator(11). Run hot and cold water through the faucet for about a minute to remove any debris. Check for leaks. Remove any debris from the aerator. Shut off the faucet, and reinstall the aerator.



CLEANING INSTRUCTIONS

All Finishes: Clean the finish with a mild soap and warm water. Wipe entire surface completely dry with clean soft cloth. Many cleaners may contain chemicals, such as ammonia, chlorine, toilet cleaner etc. which could adversely affect the finish and are not recommended for cleaning.

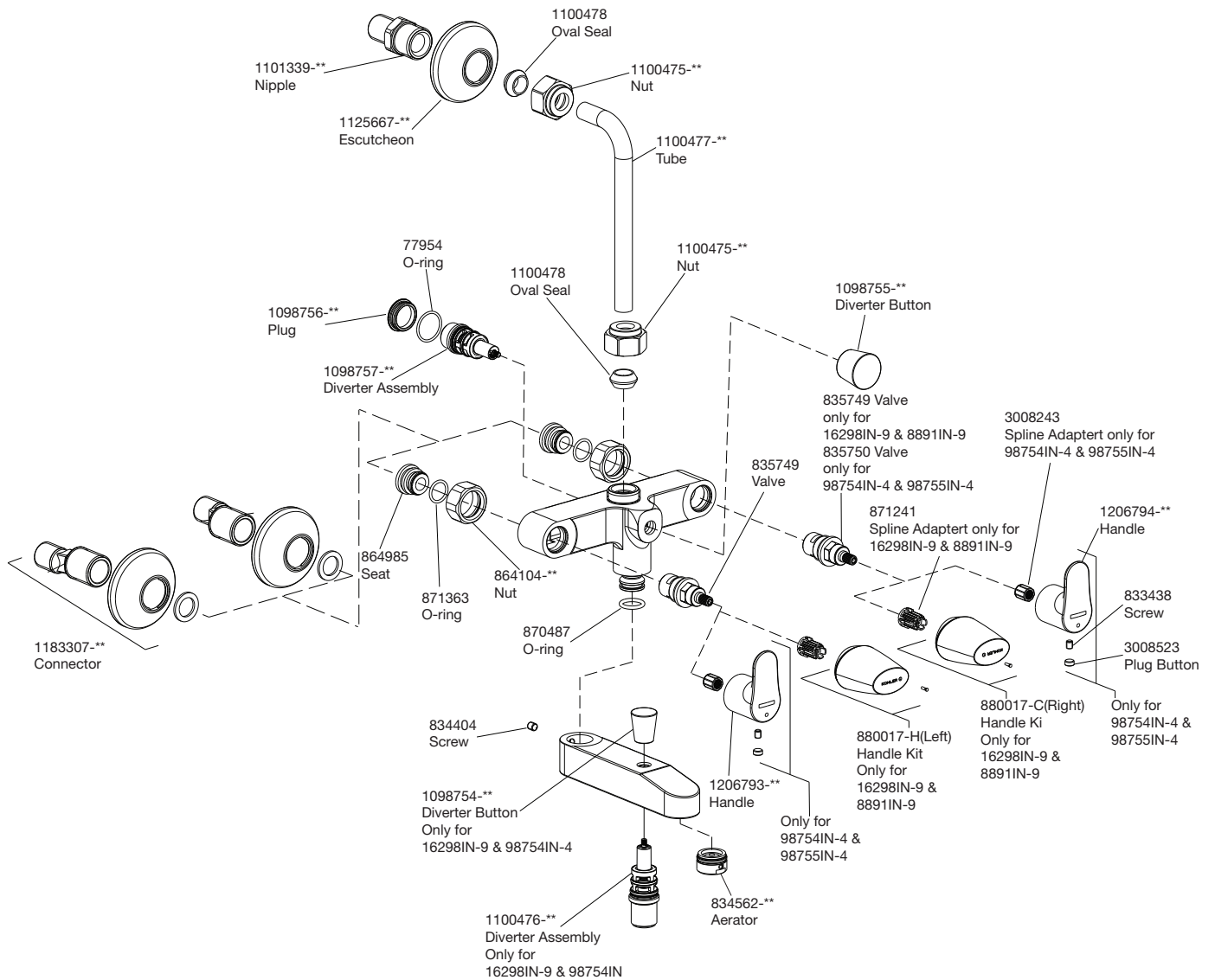
Do not use abrasive cleaners or solvents on Kohler faucets and fittings.

SERVICE PARTS

Wall Mount Bath/Shower Faucet

16298IN-9/98754IN-4
8891IN-9/98755IN-4

WALL MOUNT BATH, DUAL-SHOWER FAUCET
WALL MOUNT BATH & SHOWER FAUCET



**Color code must be specified when ordering.