

TOTO

SANITARY WARES

CW822NJT1 / TV150NRNV3

Avante Suite

Product Features

Back Inlet, Wall Hung Toilet with Invisible Kit, 6 L Flush
Rough-In Height : 220 mm from Finished Floor Level

Matching Parts Must required as:

T82A32 - Inlet Spud (inlet socket for water supply to wc)
TX215C - Slip-in-Connector (outlet rubber gasket for sewer connection)
TC281SJ - Soft Close Seat Cover(Voreto)
or
TC394CVK- Soft Close Seat Cover(Voreto)
TC393VS - Soft Close Seat Cover(TVN)

Matching Washlets AC220Volts:

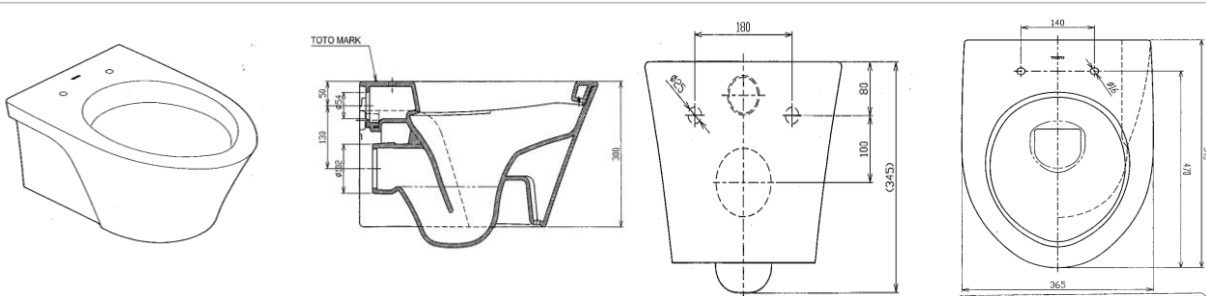
TCF6411A - With attached control Panel
TCF491A - With wireless Remote control

Matching ECO Washer (Non Electric)

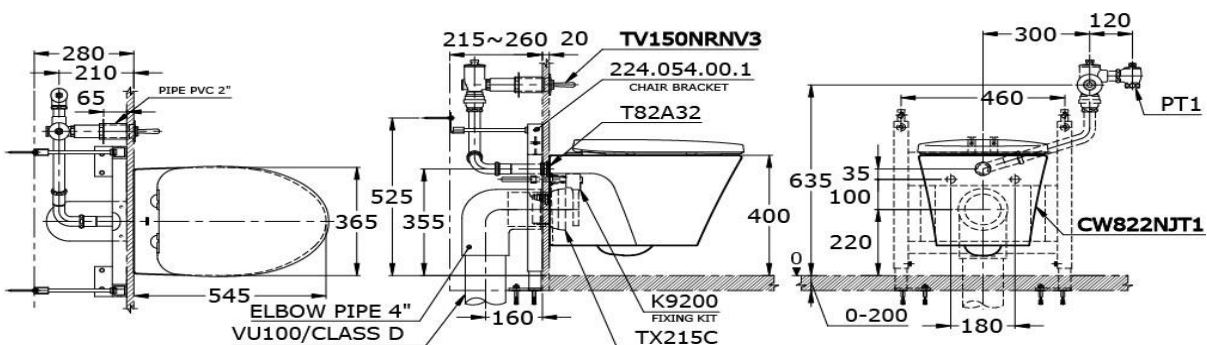
TCW1211A - Manually operated

Optional Parts & Item:

TV150NRNV3 - Concealed Toilet Flush Valve with Vacuum Breaker



AVANTE CW 822 NJT1



Suggestion Fittings & Parts

Remark : We reserve the right to change some parts for suitability.

TOTO INDIA INDUSTRIES PVT. LTD.
101, Kamla Executive Park, opp. Vazir Glass Works,
Andheri Kurla Road, Andheri (East), Mumbai 400059.
Tel : 91-22-28325741/42 Fax : 91-22-67258780