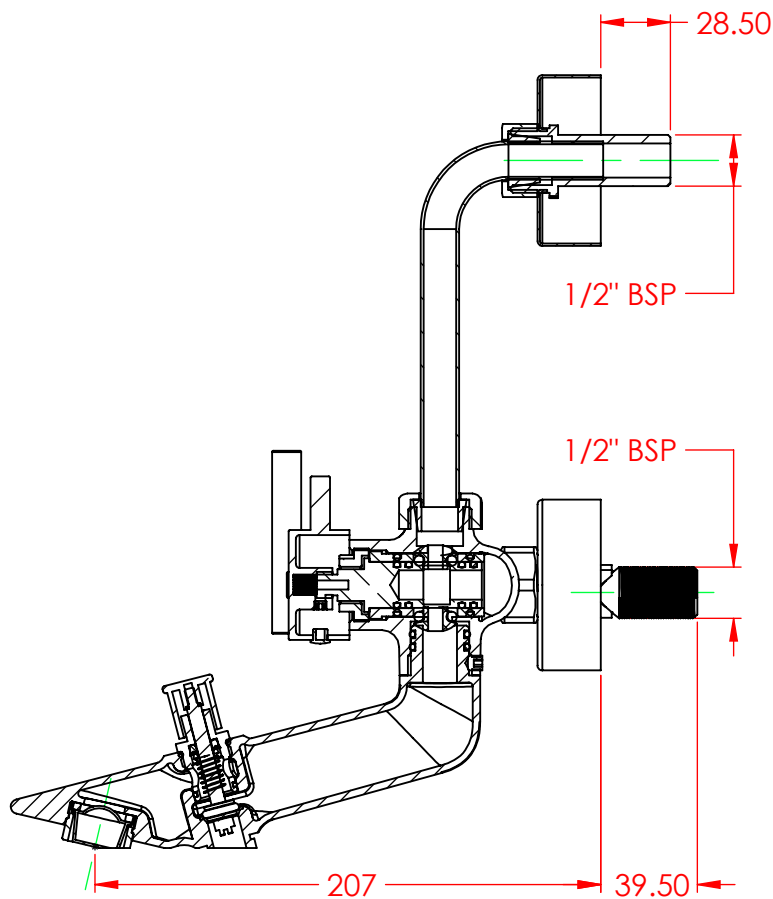
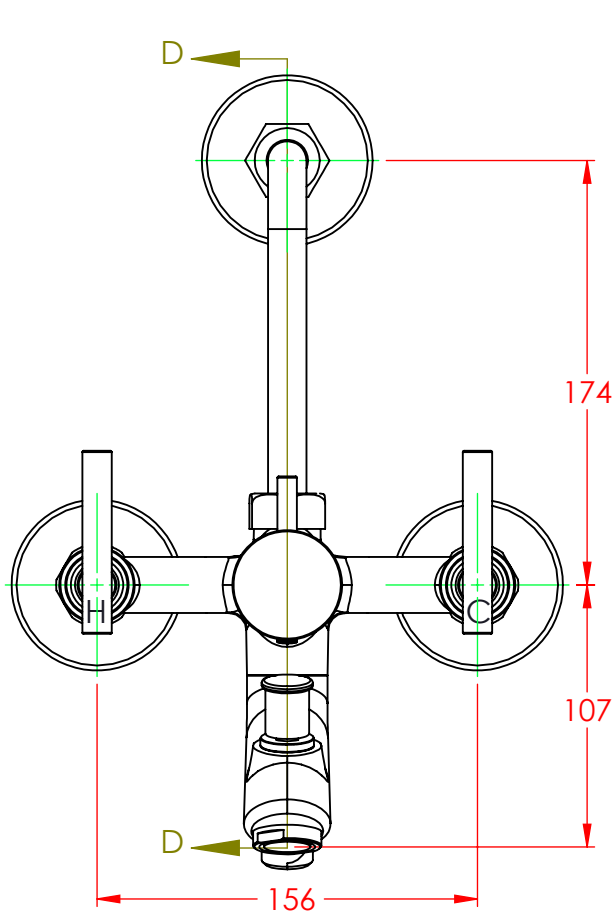
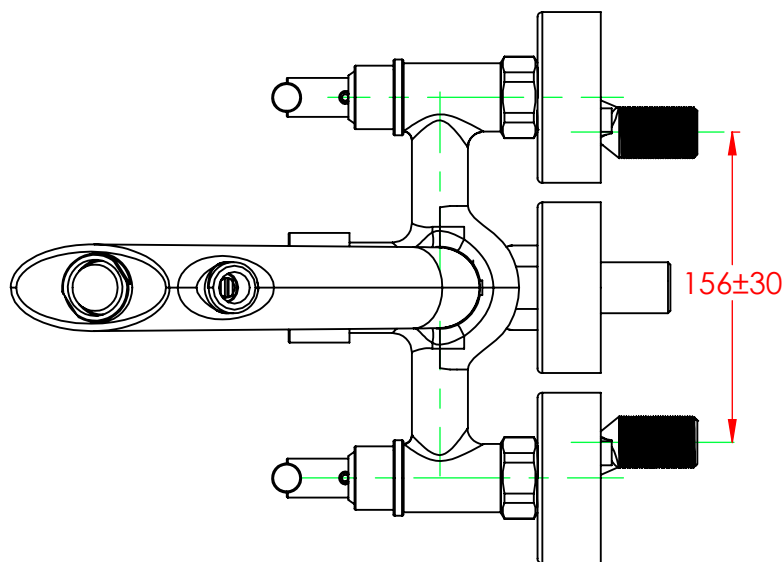


Symbol Specification	∇ - Not machined	TOLERANCES TO APPLY IF NOT SPECIFIED (Type what it is not interested)					
	$\frac{12.5}{\nabla}$ - Machining touch feeling	$1 < X \leq 6$	$6 < X \leq 30$	$30 < X \leq 100$	$100 < X \leq 300$	$300 < X \leq 1000$	$1000 < X \leq 2000$
	$\frac{3.2}{\nabla}$ - Machining smooth finish	Fine quality	± 0.05	± 0.1	± 0.15	± 0.2	± 0.3
	$\frac{0.6}{\nabla}$ - Mirror finish	Medium quality	± 0.1	± 0.2	± 0.3	± 0.5	± 0.8
		Coarse quality		± 0.5	± 0.8	± 1.2	± 2
						± 1.2	± 3



SECTION D-D
SCALE 1 : 3.1



				UNLESS OTHERWISE SPECIFIED All dimension are in MM. All Projection are Third angle . Tolerance on Machined dimensions -Medium IS 2102 All sharp edges are to be removed.	
				Drawn by	JAGJEET SINGH.
				Checked by	Suman M.
				Approved by	Manish M.
				Date	13-04-2012
01	01/08/2013	Auto tipton used		Outer Surface Area	NR
		Old Dim.	New Dim.	Weight	NR
REV.	DATE	REV. HISTORY		Scale	NTS

Roca Bathroom Products Pvt. Ltd.

BHIWADI (Taps Unit), India

This drawing & design is property of RBPPL It is a Confidential disclosure which must neither be copied nor used in any manner detrimental to their interests.

TITLE - Wall Mixer 3 in 1			
TYPE - Installation	Range- Agate	Sheet	1 of 1
Material	Drg. No. I 0617	Rev.No.	Release No.
		1	1