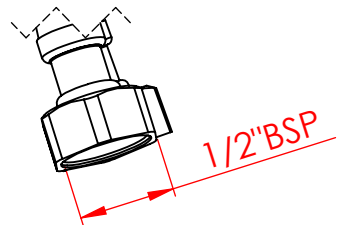
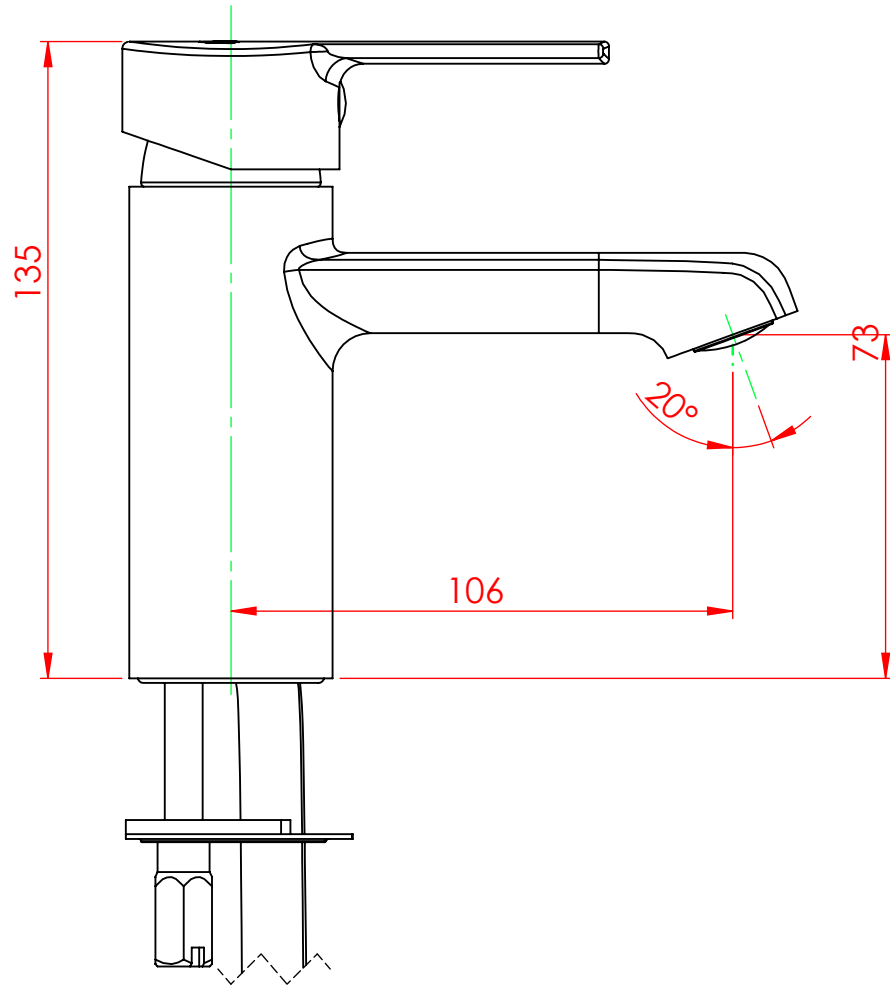
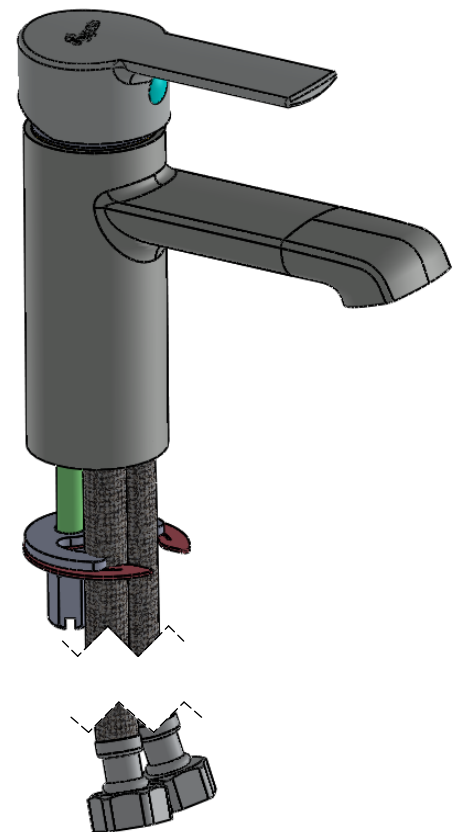
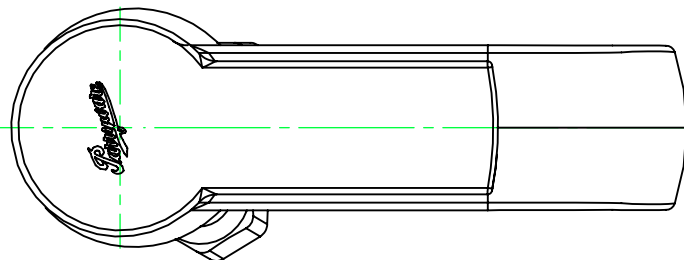


Symbol Specification	▽ - Not machined	TOLERANCES TO APPLY IF NOT SPECIFIED (Type what it is not interested)						
	$\sqrt[12.5]{}$ - Machining touch feeling	1 < X ≤ 6	6 < X ≤ 30	30 < X ≤ 100	100 < X ≤ 300	300 < X ≤ 1000	1000 < X ≤ 2000	
	$\sqrt[3.2]{}$ - Machining smooth finish	Fine quality	±0.05	±0.1	±0.15	±0.2	±0.3	
	$\sqrt[0.6]{}$ - Mirror finish	Medium quality	±0.1	±0.2	±0.3	±0.5	±0.8	±1.2
		Coarse quality		±0.5	±0.8	±1.2	±2	±3



				UNLESS OTHERWISE SPECIFIED All dimension are in MM. All Projection are Third angle . Tolerance on Machined dimensions -Medium IS 2102 All sharp edges are to be removed.	
				Drawn by	Amit Kumar
				Checked by	Suman Mishra
				Approved by	Manish Mahashwari
				Date	19/06/2014
				Outer Surface Area	Dm2
				Weight	Kg
REV.	DATE	REV. HISTORY		Scale	NTS

Roca Bathroom Products Pvt. Ltd. BHIWADI (Taps Unit), India			
This drawing & design is property of RBPPL It is a Confidential disclosure which must neither be copied nor used in any manner detrimental to their interests.			
TITLE - 35mm Basin Mixer Ins.			
TYPE - Ins.	Range- Crust	Sheet	1 of 1
Material	Drq. No.	Rev.No.	Release No.
	I3169	0	1