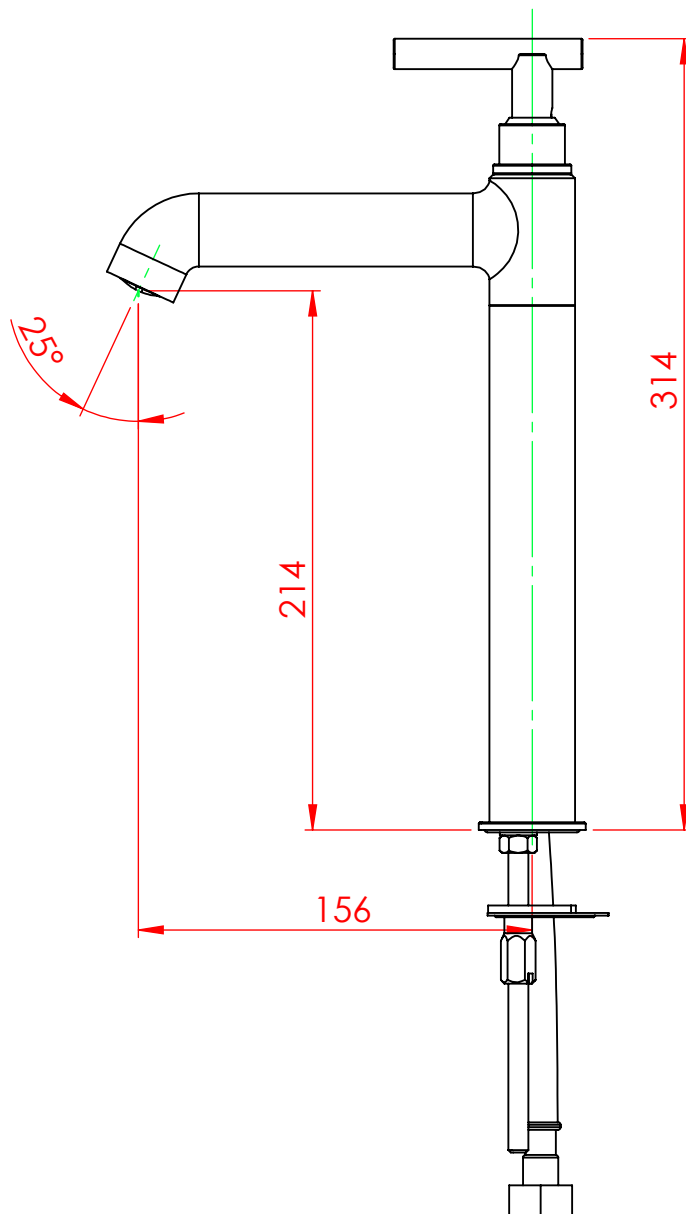
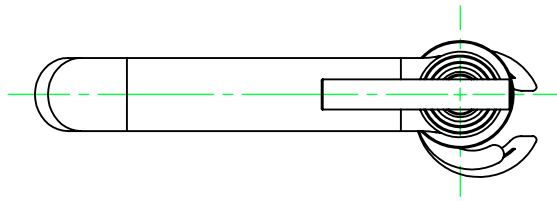


Symbol Specification	$\nabla$ - Not machined	TOLERANCES TO APPLY IF NOT SPECIFIED (Type what it is not interested)					
	$\nabla^{12.5}$ - Machining touch feeling	$1 < X \leq 6$	$6 < X \leq 30$	$30 < X \leq 100$	$100 < X \leq 300$	$300 < X \leq 1000$	$1000 < X \leq 2000$
	$\nabla^{3.2}$ - Machining smooth finish	Fine quality	$\pm 0.05$	$\pm 0.1$	$\pm 0.15$	$\pm 0.2$	$\pm 0.3$
	$\nabla^{0.6}$ - Mirror finish	Medium quality	$\pm 0.1$	$\pm 0.2$	$\pm 0.3$	$\pm 0.5$	$\pm 0.8$
		Coarse quality		$\pm 0.5$	$\pm 0.8$	$\pm 1.2$	$\pm 3$



				UNLESS OTHERWISE SPECIFIED All dimension are in MM. All Projection are <b>Third angle</b> . Tolerance on Machined dimensions -Medium IS 2102 All sharp edges are to be removed.	
				Drawn by	Amit K.
				Checked by	Suman M.
				Approved by	Manish M.
				Date	14/01/2014
				Outer Surface Area	- Dm2
				Weight	Kg
REV.	DATE	REV. HISTORY		Scale	NTS

## Roca Bathroom Products Pvt. Ltd.

BHIWADI (Taps Unit), India

This drawing & design is property of RBPPL It is a Confidential disclosure which must neither be copied nor used in any manner detrimental to their interests.

TITLE - Agate tall Pillar Cock Ins			
TYPE - Ins.	Range- Agate	Sheet	1 of 1
Material	Drg. No. 10661	Rev.No. 0	Release No. 1