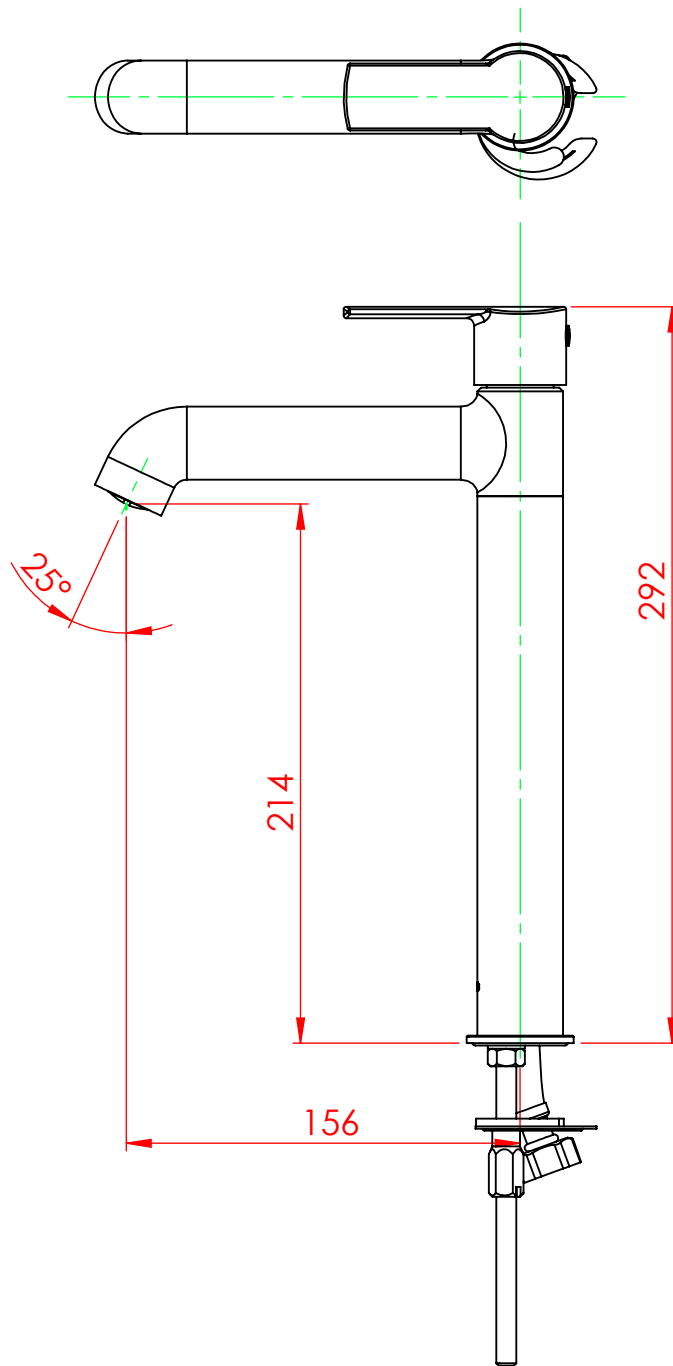


Symbol Specification	√	- Not machined	TOLERANCES TO APPLY IF NOT SPECIFIED (Type what it is not interested)						
	$\sqrt[12.5]{}$	- Machining touch feeling	1 < X ≤ 6	6 < X ≤ 30	30 < X ≤ 100	100 < X ≤ 300	300 < X ≤ 1000	1000 < X ≤ 2000	
	$\sqrt[3.2]{}$	- Machining smooth finish	Fine quality	±0.05	±0.1	±0.15	±0.2	±0.3	
	$\sqrt[0.6]{}$	- Mirror finish	Medium quality	±0.1	±0.2	±0.3	±0.5	±0.8	
			Coarse quality		±0.5	±0.8	±1.2	±2	±3



				UNLESS OTHERWISE SPECIFIED All dimension are in MM. All Projection are Third angle . Tolerance on Machined dimensions -Medium IS 2102 All sharp edges are to be removed.	
				Drawn by	Satnam
				Checked by	Suman M.
				Approved by	Manish M.
				Date	10/06/2014
				Outer Surface Area	- Dm2
				Weight	Kg
REV.	DATE	REV. HISTORY		Scale	NTS

<h1>Roca Bathroom Products Pvt. Ltd.</h1> <p>BHIWADI (Taps Unit), India</p>					
This drawing & design is property of RBPPL It is a Confidential disclosure which must neither be copied nor used in any manner detrimental to their interests.					
TITLE - Tall Pillar Cock Ins					
TYPE - Ins.		Range- Crust	Sheet	1 of 1	
Material		Drg. No. I3161	Rev.No. 0	Release No. 1	