

科 THE BOLD LOOK
勒 OF KOHLER
全球厨卫经典

K-2331T-8/-4/-1
柯德 CHORD

釉面陶瓷时尚脸盆
VITREOUS CHINA VESSEL
切割图/安装说明书
CUT-OUT TEMPLATE / INSTALLATION INSTRUCTIONS

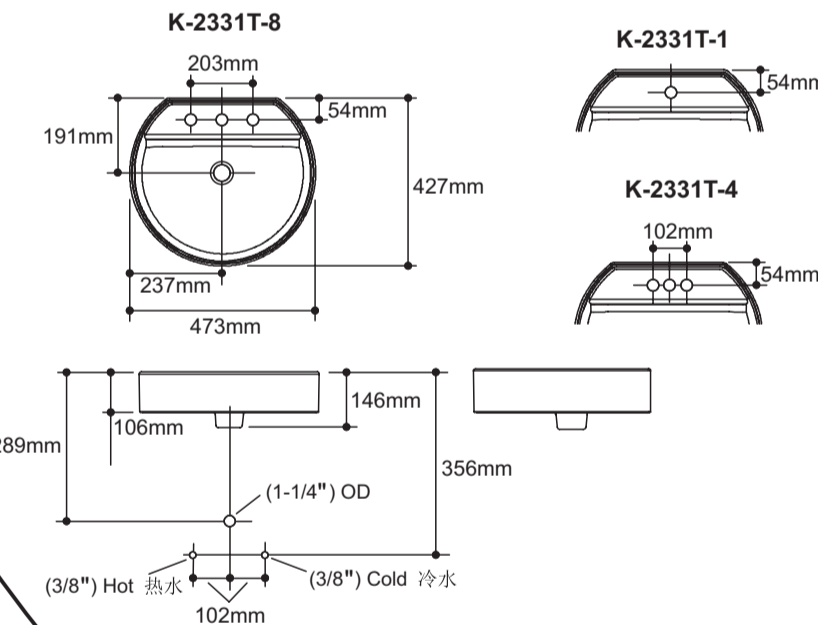
安装之前

- 遵守当地所有给排水及建筑规定。
- 检查污水管及供水管, 如有需要请更换。
- 安装之前, 开启新脸盆的包装, 仔细检查脸盆是否有损坏。再将脸盆放回包装盒内, 到安装时才取出。
- 如果只是更换脸盆, 请确保现有的台面开口大于新脸盆所需开口的尺寸。
- 使用随脸盆一起提供的模板。
- 如果已经随脸盆提供了密封胶, 请勿再使用其他密封胶。
- 如果可能, 在安装脸盆之前先将龙头和排水组装到脸盆上。

推荐工具及材料

- 安装模板(已提供)
- 护眼镜
- 铅笔
- 卷尺
- 涂油灰刀
- 匙孔线锯或手提电锯
- 密封胶
- 剪刀
- 喉管扳钳
- 电钻(带13毫米(1/2英寸)或更大直径钻头)
- 活动扳钳
- 切管刀
- 锯锯

尺寸图



BEFORE YOU BEGIN

- Observe all local plumbing and building codes.
- Inspect the drainage and supply tubing. Replace if necessary.
- Prior to installation, unpack the new lavatory and carefully inspect it for damage. Return the lavatory to its protective carton until you are ready to install it.
- For replacement installations, make sure the existing cutout is the same or smaller size as the new lavatory.
- Use the template supplied with the lavatory.
- Do not substitute another sealant if one is supplied with this lavatory.
- If possible, assemble the faucet and drain to the lavatory before installing the lavatory.

RECOMMENDED TOOLS AND MATERIALS

- Template(supplied)
- Safety Glasses
- Pencil
- Tape Measure
- Rutty Knife
- Keyhole Saw or Saber Saw
- Sealant
- Scissors
- Pipe Wrench
- Drill with 1/2" (130mm) or larger drill bit
- Adjustable Wrench
- Tubing Cutter
- Hacksaw

ROUGH-IN

移开原有脸盆

- 关闭龙头供水。
- 打开龙头阀门, 然后拆下供水管。
- 拆下排水组件, 取下存水弯。
- 移开脸盆。

安装新脸盆

- 沿切割线切出安装模板。
- 将模板放在台面上, 确定脸盆、龙头和防溅水瓶之间有足够的距离, 检查台面下的储物柜有足够的空间。
- 用铅笔沿模板在台面上划线。
- 再次检查脸盆、龙头、防溅水瓶以及储物柜间的距离, 如有需要可调整模板的位置。
- 在切割线内侧钻孔, 直径13mm。
- 沿铅笔线内侧切开台面。

警告: 小心身体受伤或损坏产品。大型脸盆十分沉重, 须请人帮忙一起搬动及安放。

- 暂将脸盆放入台面开口, 校正位置。
- 用铅笔沿脸盆外缘画线。
- 移开脸盆。

如果龙头和排水尚未安装, 此时即可进行安装。请遵照随脸盆提供的说明书进行安装。

- 在铅笔线内侧涂上两条密封胶。
- 用涂油灰刀将其抹匀。

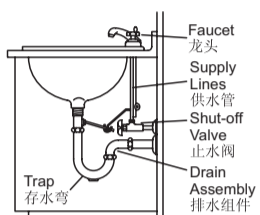
警告: 小心身体受伤或损坏产品。大型脸盆十分沉重, 须请人帮忙一起搬动及安放。

- 将脸盆小心放入台面开口, 并向下用力压紧。
- 立即擦除多余的密封胶, 如有缝隙, 用胶填充。
- 确认脸盆没有移位。
- 至少等待三十分钟, 让密封胶干透后, 方可继续进行安装。

REMOVE EXISTING

LAVATORY

- Turn off the water supply to the faucet.
- Open the faucet valves, then disconnect the supply lines.
- Disconnect the drain assembly and remove the trap.
- Remove the existing lavatory.



INSTALL NEW LAVATORY

- Cut the template on the cutout line.
- Position the template on the countertop to ensure clearance between the lavatory, faucet, and backsplash. Verify cabinet clearance beneath the countertop.
- Trace the template on the countertop with a pencil.
- Check the clearance between the lavatory, faucet, backsplash, and cabinet. Readjust the template.
- Drill a 1/2" (13mm) hole on the inside of the outline.
- Cut the opening in the countertop along the inside edge of the pencil line.

警告: 小心身体受伤或损坏产品。大型脸盆十分沉重, 须请人帮忙一起搬动及安放。

- Temporarily position the lavatory in the opening, and adjust to fit.
- Trace a pencil line around the outside edge of the lavatory.
- Remove the lavatory.

IF THE FAUCET AND DRAIN ARE NOT INSTALLED, INSTALL THEM AT THIS TIME. BE SURE TO FOLLOW ALL INSTRUCTIONS PACKED WITH THE PRODUCT.

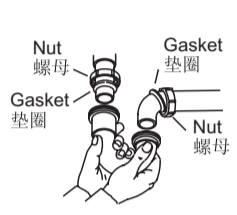
- Apply two beads of sealant to the inside of the pencil line.
- Spread the sealant evenly with a putty knife.

警告: 小心身体受伤或损坏产品。大型脸盆十分沉重, 须请人帮忙一起搬动及安放。

- Carefully position the lavatory in the cutout, and press down firmly.
- Immediately wipe away any excess sealant, and fill any voids as needed.
- Verify that the lavatory has not moved out of position.
- Allow the sealant to cure for at least 30 minutes before proceeding.

连接供水

- 联结排水组件。
- 联结龙头供水管并完成龙头安装。请务必遵照与龙头一起包装的说明书进行安装。



完工清洁

- 切勿使用磨蚀性清洁剂, 以免刮花损伤脸盆表面。顽固的污渍、油漆或焦油可以用松节油或油漆稀释剂清除。

用户须知(护理和清洁)

为保持脸盆光洁如新, 须确保每次使用后彻底冲洗干净。切勿使用腐蚀性的清洁剂, 以免刮花及破坏脸盆的表面。要清除顽固污垢、油漆或柏油, 可使用松节油或油漆稀释剂。

CONNECT SUPPLIES

- Connect the drain assembly and complete the faucet installation. Be sure to follow all instructions packed with the faucet.

CLEAN-UP

- Do not use abrasives on this product, as they will scratch and ruin the surface. Stubborn stains, paint, or tar can be removed with turpentine or paint thinner.

IMPORTANT CONSUMER INFORMATION (CARE AND CLEANING)

To keep your lavatory looking new, make sure you rinse it out thoroughly after each use. DO NOT ABRASIVES on this product, as they will scratch and ruin the surface. Stubborn stains, paint, or tar can be removed with turpentine or paint thinner.

沿此线切割
CUT ALONG THIS LINE

脸盆边缘
RIM OF LAVATORY

陶瓷及浴缸产品及配件担保——一年有限担保

科勒公司担保其陶瓷及浴缸产品及配件在制造工艺上无瑕疵。

本产品自购买之日起即获得本公司一年的质量担保。在质保期内, 凭购货发票, 科勒公司将免费承担由制造质量问题引起的任何问题。经核查后, 科勒中国有限公司有权决定是修理、更换、还是作适当的调整。

这里所指的担保, 包括产品, 都已明确地限制在该担保期之内。科勒中国有限公司对其后出现的损坏不负有任何责任。担保也不包括外观损伤、使用不当以及未按说明书安装造成的损失。

为获得快捷的担保服务, 请联系您的销售商; 您也可写信给科勒中国有限公司(请出示销售发票原件作为购货凭证)。

科勒(中国)投资有限公司
中央客户服务中心
上海市卢湾区淮海中路138号
上海广场19楼
邮编: 200021

这是我们全部的书面担保。

Plumbing Fixtures and Fittings Limited One-year Warranty

Kohler plumbing fixtures and fittings are warranted to be free of manufacturing defects.

This product is warranted for one year from date of purchase. Kohler China will be responsible for any problems caused by manufacturing defects provided with the invoice. Kohler China will, at its election, repair, replace or make appropriate adjustment where Kohler China inspection discloses any such defects occurring in normal usage within one year after purchase.

Implied warranties including that of merchantability and fitness for a particular purpose are expressly limited in duration to the duration of this warranty. Kohler China disclaims any liability for special, incidental or consequential damages. Damages to the product caused by misuse, abuse and installation that is not in accordance with the owner's manual are not covered by this warranty.

To obtain quick warranty service, please contact your dealer, or write to Kohler China. (Original sales receipt must be provided as the proof of purchase.)

Kohler China Investment Company Ltd.
Central Customer Service Center
19/F, Shanghai Square, 138 Huai Hai Road,
Luwan District, Shanghai, PRC
Zip Code: 200021

This is our exclusive written warranty.

395mm

1035910-T01-B

© 版权为科勒中国有限公司所有, 2007
© Copyright Kohler China Ltd., 2007

441mm

When plotting template full size:
Make sure horizontal and vertical dimensions match the dimensions labeled on the template.
按实际大小标绘切割图时: 确保横向及纵向尺寸与切割图上所标尺寸一致。