

科 THE BOLD LOOK 勒 OF KOHLER

全 球 厨 卫 经 典

K-2530W 叶芙 LEAF

釉面陶瓷时尚脸盆 VITREOUS CHINA VESSEL 切割图/安装说明书

CUT-OUT TEMPLATE / INSTALLATION INSTRUCTIONS

安装之前

- 有关安装属专业性质，故台下或脸盆必须由受过训练及有经验的技师进行安装。
- 切勿在本品上使用胶黏剂或有黏性的密封胶。
- 检查出水及供水管道，如有需要便更换。
- 安装之前先开启新脸盆的包装，检查有无损坏后放回纸箱中以免损坏，到准备安装时才取用。

- 遵守当地所有给排水及建筑规定。
- 科勒洗脸盆是根据美国标准制造的，与美式洗脸盆配件相配。其它洗脸盆配件可能与之不相配。

所需的工具和物料

- 密封胶
- 软性铅笔
- 卷尺
- 尖刀或剪刀
- 匙孔线锯或手提电锯
- 钻(直径13毫米(1/2")或者更大的钻头)
- 护眼镜
- 锤子
- 抹布或者纸质毛巾

注意：若盥洗台的物料并非木或木质合成品，则您可能需要在安装脸盆时使用其他更专业的工具。

BEFORE YOU BEGIN

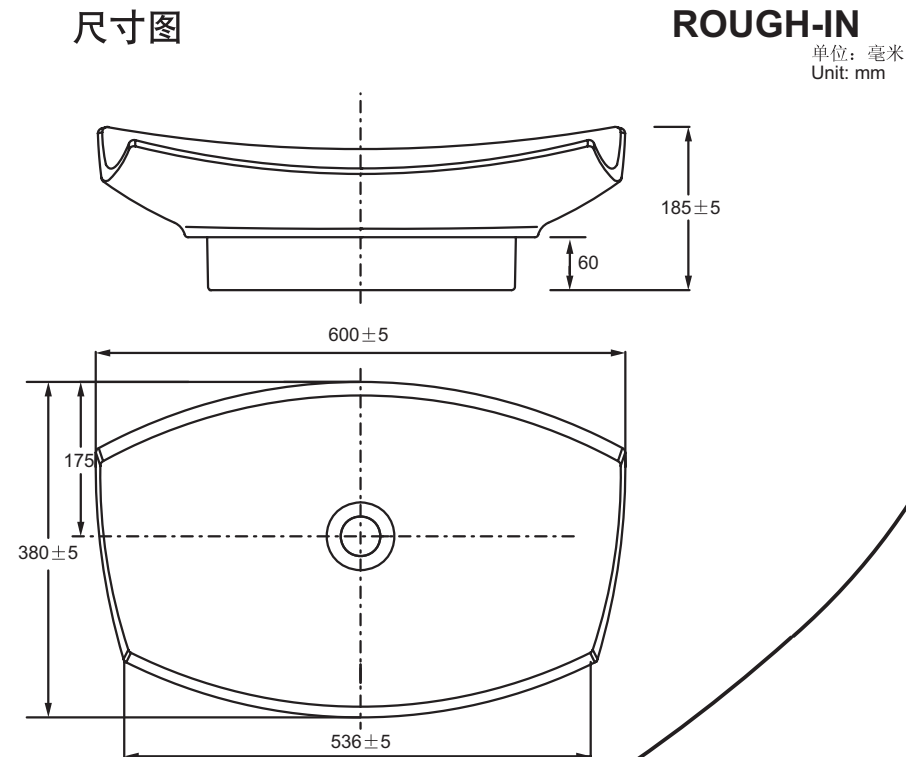
- Due to the nature of the installation, undercounter lavatories should be installed by trained and experienced installers.
- Do not use adhesives or adhesive sealants with this product.
- Inspect the waste and supply tubing; replace if necessary.
- Prior to installation, unpack the new lavatory and inspect it for damage. Return the lavatory to its protective carton until you are ready to install it.
- Observe all local plumbing and building codes.
- Kohler lavatory is made according to American National Standard that it can match the American lavatory fittings. Any other lavatory fittings may not fit for kohler lavatory.

TOOLS AND MATERIALS

- Sealant
- Pencil
- Tape measure
- Sharp knife or scissors
- Keyhole or saber saw
- Drill (13mm(1/2") dia. drill bit or larger)
- Safety glasses
- Hammer
- Rags or paper toweling

NOTE: You may require different, more specialized tools to install this lavatory to countertop materials other than wood or wood composites.

尺寸图



沿此线切割
CUT ALONG THIS LINE

370

292

安装脸盆

注意：安装中要允许将来可以从盥洗台面之下进行拆装，以免台面损坏。

- 检查准备装上脸盆的位置，是否与防溅挡板、水龙头、脸盆及储物柜保持足够的距离。
- 剪出模板。
- 将模板小心放置于台上，并在台面上按照模板画出其边缘轮廓导线。
- 在盥洗台上标出水龙头孔位的中心线。
- 在切线内侧钻出一个13毫米(1/2")的导孔。
- 用匙孔线锯或者手提电锯切开盥洗台面。

对所有台面的安装

- 如果还没有安装盥洗台，请在这时安装。

- 按照水龙头安装说明，钻出水龙头孔。

- 按照制造商的说明书，在盥洗台上安装水龙头。

- 按照制造商的说明书，在脸盆下安装排水管。

注意：请勿在本品上使用胶粘剂或者有粘性的密封胶。

- 注意：水龙头安装孔的尺寸一定要准确，否则可能会使龙头无法正常使用。
- 暂将脸盆放入台面开口，校正位置。

⚠ 小心：提防身体受伤或损坏产品。因大型脸盆相当重，需找人帮您一起搬动及安放。

- 将脸盆移开。按照制造商的指引，安装水龙头和排水管道。

- 在脸盆底部涂抹密封胶。

- 小心地将脸盆置于台面切口适当位置，向下按牢。

⚠ 小心：提防身体受伤或损坏产品。因大型脸盆相当重，需找人帮您一起搬动及安放。

- 立即擦去多余的密封胶，如脸盆外缘与台面间有缝隙，即用胶填满。
- 检查脸盆的位置准确。
- 最少待三十分钟，让密封胶干透后，方可继续进行安装。

- 联接水龙头供水管。
- 联接排水装置。
- 开启水龙头阀门，检查有否渗漏。
- 用非腐蚀性清洁剂来清洁。

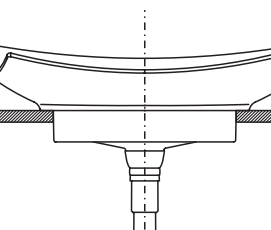
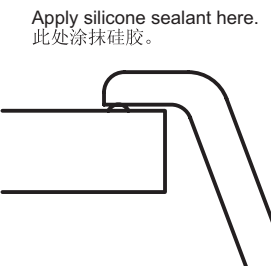
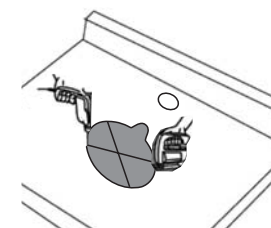
注1：请确保切割尺寸与切割图上标识相同。

注2：禁止使用环氧树脂胶。

注3：龙头与进水、排水管件连接要牢固，如连接不牢固，有漏水的可能。

用户须知 (护理和清洁)

为保持脸盆光洁如新，须确保每次使用后彻底冲洗干净，切勿使用腐蚀性的清洁剂，以免刮花及破坏脸盆的表面。要清除顽固污垢，油漆或柏油，可使用松油或油漆稀释剂。



INSTALL THE LAVATORY

NOTE: Install so future removal from underneath the countertop is possible to avoid damage to the countertop.

- Check the desired lavatory location for clearance between the backsplash, faucet, fixture, and cabinet.
- Cut out the template.
- Carefully position and trace the template on the countertop as directed on the template.
- Mark the faucet hole centerline on the countertop.
- Drill a 13mm(1/2") pilot hole on the inside of the cut line.
- Cut out the countertop opening with a saber or keyhole saw.

FOR ALL INSTALLATIONS

- If the countertop has not been installed, install it at this time.
- Drill the faucet holes according to the faucet installation instructions.
- Install the faucet to the countertop according to the manufacturer's instructions.
- Install the drain to the lavatory according to the manufacturer's instructions.

NOTE: Do not use adhesives or adhesive sealants.

NOTE: The faucet installation hole shall be precisely drilled, otherwise, it may affect faucet performance in the future use.

Temporarily position the lavatory in the opening, and adjust to fit.

⚠ CAUTION: Risk of personal injury or product damage. Large lavatories are very heavy. Get help lifting the lavatory into place.

- Remove the lavatory. Install the faucet and drain according to the manufacturer's instructions.

- Apply sealant to the bottom installation area.

- Carefully position the lavatory in the cutout, and press down firmly.

CAUTION: Risk of personal injury or product damage. Large lavatories are very heavy. Get help lifting the lavatory into place.

- Immediately wipe away any excess sealant, and fill any voids as needed.
- Verify that the lavatory has not moved out of position.
- Allow the sealant to cure for at least 30 minutes before proceeding.
- Connect the faucet supply lines.
- Connect the drain assembly.
- Open the faucet valves, and check for leakage.
- Clean up with a non-abrasive cleaner.

NOTE 1: Make sure horizontal and vertical dimensions match dimensions labeled on the template.

NOTE 2: It is prohibited to use epoxy resin as the sealant.

NOTE 3: Faucet needs to be tightly connected with inlet and outlet supplies. Otherwise, it may lead to leakage.

IMPORTANT CONSUMER INFORMATION (CARE AND CLEANING)

To keep your lavatory looking new, make sure you rinse it out thoroughly after each use. DO NOT USE ABRASIVES on this product, as they will scratch and ruin the surface. Stubborn stains, paint, or tar can be removed with turpentine or paint thinner.

1097336-T01-A

上海科勒国际贸易有限公司
上海市外高桥保税区新灵路106号2号楼324室 邮编：200131

© 版权为科勒中国有限公司所有，2008
© Copyright Kohler China Ltd., 2008