

BEFORE YOU BEGIN

安装之前

NOTES

- Use these instructions for self-rimming and above-counter installations. Please follow the instructions that apply to your installation. Follow only the instructions that apply to your installation.
- You can choose between a wall-mount or countertop faucet installation, depending upon the setting and styling you desire. We recommended a wall-mount faucet.
- Observe local plumbing codes.
- Prior to installation, unpack the new lavatory and carefully inspect it for damage. Return the lavatory to its protective carton until you are ready to install it.
- All information in these instructions is based upon the latest product information available at the time of publication. Kohler China reserves the right to make changes in product characteristics, packaging, or availability at any time without notice.
- These instructions contain import care, cleaning, and warranty information please leave these instructions for the consumer.

注意

- 修边式安装脸盆可使用此说明书。请遵照适合您安装需要的说明进行。
- 根据您所需的安装地及安装风格，可选择龙头靠墙安装或台式安装。建议您采用靠墙式龙头。
- 留意当地所有给排水及建筑规定。
- 安装之前，先开启新脸盆的包装，并小心检查新的脸盆是否有损坏，再将脸盆放回包装盒内，到安装时才取用。
- 本说明书所含一切资料，均以印刷时所有的最新产品为准。科勒公司保留随时更改产品特性，包装或供应情况的权利，恕不另行通知。
- 此说明书包括重要的护理，清洁及保修资料请将此说明书交用户留存。

ROUGHING-IN DIMENSIONS

尺寸图

Roughing-In Notes
Fixture dimensions are nominal and conform to tolerances in ASME Standard A112.19.2M.
(T) Pop-up drain 314mm.
(S) 356mm (Based on 305mm riser which may require cutting).
* Spout must be 127mm long (min.) for adequate clearance into lavatory when installed with centerline as shown.
** Spout must be tall enough to clear 102mm rim height and provide a 25mm air gap per ASME A112.1.2.

尺寸资料
产品尺寸均为标准值，误差均符合美国机械工程协会(ASME)112.19.2M标准。
(T) 使用提拉杆去水头314mm。
(S) 356mm: 此尺寸根据305mm冒口计算，须按实际情况调整。
* 采用图示中心线安装时，龙头出水嘴须127mm长(最少)以保持其伸入脸盆的距离。
** 出水嘴须高达102mm并根据ASME A112.1.2标准，有25mm气隙。

K-2815T

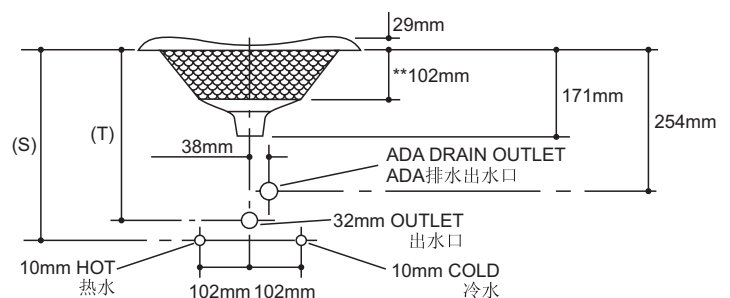
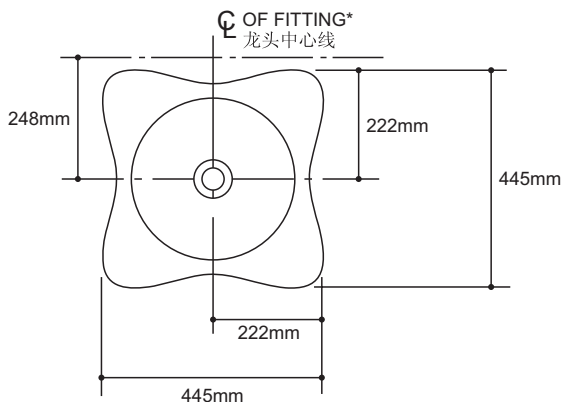


Fig. 1
图1

上海科勒有限公司
上海市浦东星火开发区民乐路368号 邮编: 201419

© 版权为科勒中国有限公司所有, 2006

© Copyright Kohler China Ltd., 2006

TOOLS AND MATERIALS REQUIRED (NOT SUPPLIED)

所需工具及材料(不随货供应)

- Cutout Template (supplied)
- Safety glasses
- Pencil
- Scissors
- Tape Measure
- Hole Saw
- Keyhole saw or saber saw
- Dill (1/2" dia. Drill bit, or larger)
- Screwdriver

- 切割模板(已提供)
- 安全眼罩
- 炭笔
- 剪刀
- 卷尺
- 孔锯
- 匙孔锯或军刀状锯
- 电钻(直径为13mm的钻锥或更大的钻锥)
- 螺丝刀

COUNTERTOP INSTALLATIONS

安装台面

SELF-RIMMING INSTALLATION

Determine the faucet centerline location. Consider the faucet and handle escutcheon diameters, the length of the spout, and the clearance between the spout, and the lavatory rim.

Calculate the faucet centerline measurement by first dividing the escutcheon diameter in half, and then add 6mm to the sum. If necessary, round the calculation up to the nearest 2mm.

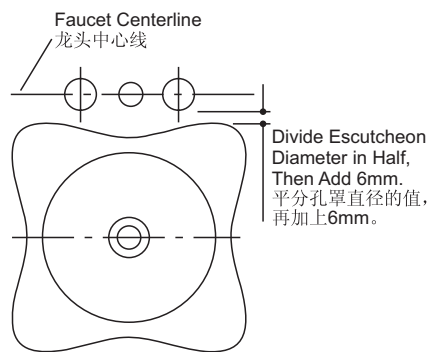


Fig. 2
图2

修边式安装

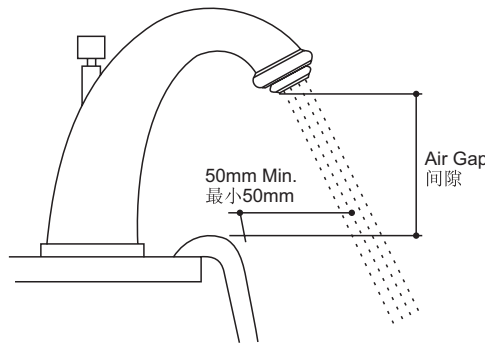
确定龙头中心线的位置。考虑龙头和把手的孔罩直径、龙头出水嘴的长度、以及龙头出水嘴与脸盆边缘之间的距离。

计算龙头中心线尺寸，首先平分孔罩直径的值，然后再加上6毫米。如果需要，把这个计算值向上近似到最近的2毫米。

Carefully draw the calculated faucet centerline on the cut-out template. Choose the most suitable location based upon the following factors:

- compliance with all local plumbing codes;
- minimum 50mm distance from the water stream to the lavatory rim edge. This is important to ensure adequate clearance for hand washing;
- a minimum 6mm distance between the faucet spout and the lavatory rim.

Redraw the faucet centerline as needed to meet these requirements.



在切割模板上仔细地画好计算出的龙头中心线。根据以下因素选择最合适的位置：

- 符合所有当地的排水规定；
- 在水流与脸盆边缘之间至少要留有50毫米。这对于保证足够的洗手空间十分重要；
- 龙头出水嘴与脸盆边缘之间至少要留有6毫米的距离。

根据需要重新绘制龙头中心线以满足这些要求。

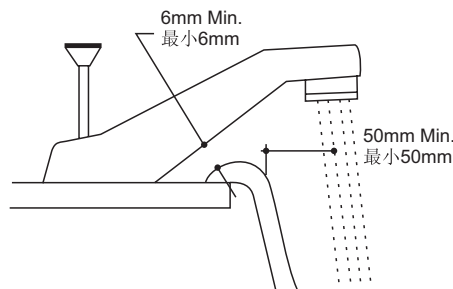


Fig. 3
图3

Draw a line on the cut-out template a minimum of 50mm behind the final faucet centerline. This is the minimum backsplash locator line.

NOTE: Some Kohler faucets require a minimum of 64mm behind the final faucet centerline.

NOTE: Cut along the backsplash locator line on the template.

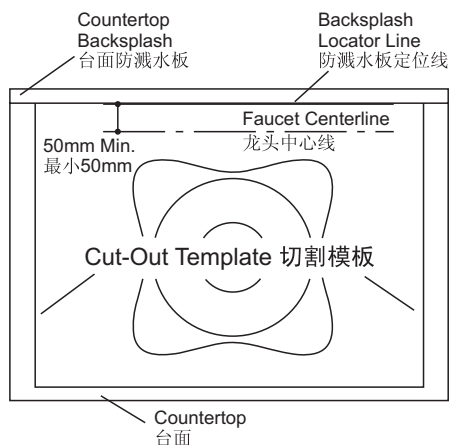


Fig. 4
图4

在切割模板上画一条线，位于最终确定的龙头中心线之后，距离不得小于50毫米。这就是最低要求的防溅水板定位线。

注意：有些科勒龙头要求在最终的龙头中心线后面至少留有64毫米的间隙。

注意：在模板上沿着防溅水板定位线切割。

Cut the template on the cut-out line labeled "Self-Rimming Cut-Out".

Position the template on the countertop to ensure clearance between the lavatory, faucet, and backsplash.

Verify cabinet clearance beneath the countertop.



Fig. 5
图5

将模板沿着标有“修边式安装”的切割线切出。

将模板放在与洗台上，确保脸盆、龙头和防溅水板之间有足够距离。

核查与洗台下的储物柜也有足够的空间。

Use a pencil to trace the template on the countertop.

Re-check the clearance between the lavatory, faucet, backsplash, and cabinet. Adjust the traced cut-out line accordingly.

Mark the faucet and handle centerline on the countertop.

Cut out the opening by carefully following the pencil line.

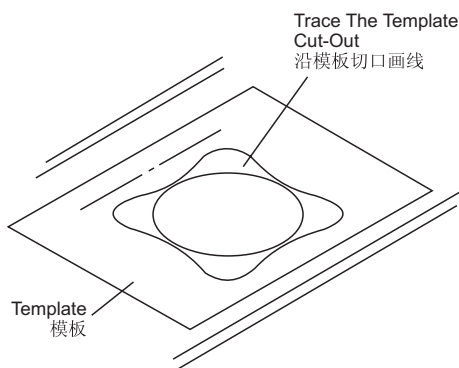


Fig. 6
图6

用炭笔在台面上沿模板画线。

再次检查脸盆、龙头、防溅水板和储物柜之间的距离。如果需要可调校切割线的位置。

在台面上标出龙头和把手的中心线。

仔细地沿着炭笔线切割台面。

CAUTION: Risk of personal injury or product damage. Cast iron lavatories are very heavy. Get help lifting the lavatory into place.

小心：提防身体受伤或损坏产品。 铸铁脸盆十分沉重，须请人帮忙一起搬动及安放。

Temporarily position the lavatory in the countertop cutout so the "Kohler" logo is to the back.

暂将脸盆放入台面切口的位置，“Kohler”标识位于后部。

Trace a pencil line on the countertop around the entire outside edge of the lavatory.

用炭笔沿脸盆的整个外缘在台面上画线。

Remove the lavatory.

Drill the faucet holes.

Install the faucet to the countertop according to the manufacturer's instructions.

Install the drain to the lavatory according to the drain manufacturer's instructions.

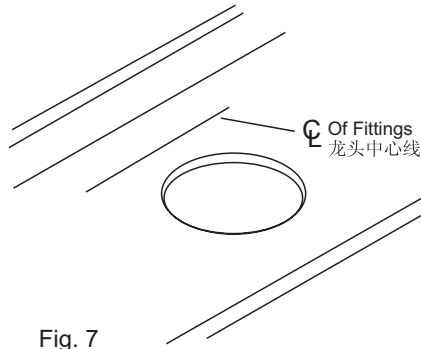


Fig. 7
图7

移开脸盆。

钻好水龙头孔。

依照制造商的说明书，将龙头安装在台面上。

依照排水装置制造商的说明书，将排水装置安在脸上。

Clean the countertop, and carefully position the lavatory in the countertop opening so the "Kohler" logo is to the back. Line up the lavatory edges with the pencil line or masking tape border.

Apply a thin, continuous bead of quality caulking around the lavatory edges.

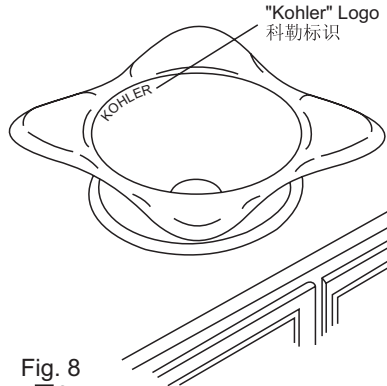


Fig. 8
图8

清洁台面，然后小心地将脸盆置于台面开口，“Kohler”标识位于后部。将脸盆边缘与炭笔线或遮蔽胶带边沿对齐。

沿着脸盆边缘敷上一薄层连续的优质防水密封胶。

Immediately wipe away and excess sealant, and fill any voids as needed.

Verify that the lavatory has not moved out of position.

Allow the sealant to cure at least 30 minutes before proceeding.

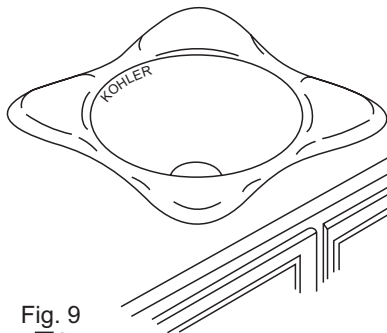


Fig. 9
图9

立即擦除多余的封边胶，如脸盆外缘与台面之间有缝隙，即用胶填密。

检查脸盆的位置准确。

待密封胶干透30分钟或更长一段时间后，方可继续进行安装。

Connect the drain assembly to the trap.

Run water into the lavatory, and check for leaks.

Clean up with a non-abrasive cleaner.

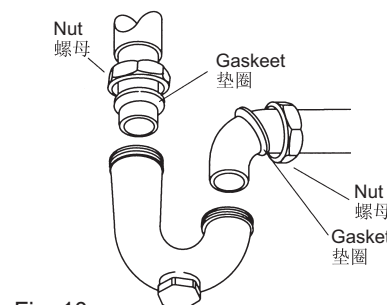


Fig. 10
图10

联接排水装置与存水管。

开启水龙头，检查有无渗漏。

用非腐蚀性清洁剂来清洁。

IMPORTANT CONSUMER INFORMATION

用户须知

CARE AND CLEANING

To keep your lavatory looking new, make sure you rinse it out thoroughly after each use. DO NOT ABRASIVES on this product, as they will scratch and ruin the surface. Stubborn stains, paint, or tar can be removed with turpentine or paint thinner.

护理及清洁须知

为保持脸盆光洁如新，须确保每次使用后彻底冲洗干净，切勿使用腐蚀性的清洁剂，以免刮花及破坏脸盆的表面。要清除顽固污垢，油漆或柏油，可使用松油或油漆稀释剂。

LIMITED ONE-YEAR WARRANTY

一年有限担保

Plumbing Fixtures and Fittings Limited One-year Warranty

陶瓷及浴缸产品及配件担保——一年有限担保

Kohler plumbing fixtures and fittings are warranted to be free of manufacturing defects.

科勒公司担保其陶瓷及浴缸产品及配件在制造工艺上无瑕疵。

This product is warranted for one year from date of purchase. Kohler China will be responsible for any problems caused by manufacturing defects provided with the invoice. Kohler China will, at its election, repair, replace or make appropriate adjustment where Kohler China inspection discloses any such defects occurring in normal usage within one year after purchase.

本产品自购买之日起即获得本公司一年的质量保证。在质保期内，凭购货发票，科勒公司将免费承担由制造质量引起的任何问题。经核查后，科勒中国有限公司有权决定是修理、更换、还是作适当的调整。

Implied warranties including that of merchantability and fitness for a particular purpose are expressly limited in duration to the duration of this warranty, Kohler China disclaims any liability for special, incidental or consequential damages. Damages to the product caused by misuse, abuse and installation that is not in accordance with the owner's manual are not covered by this warranty.

这里所指的担保，包括产品，都已明确地限制在该担保期之内。科勒中国有限公司对其后出现的损坏不负有任何责任。担保也不包括外观损伤、使用不当以及未按说明书安装的损失。

To obtain quick warranty service, please contact your dealer, or write to Kohler China. (Original sales receipt must be provided as the proof of purchase.)

为获得快捷的担保服务，请联系您的销售商；您也可写信给科勒中国有限公司(请出示销售发票原件作为购货凭证)：

Kohler China Investment Company Ltd.
Central Customer Service Center
19/F, Shanghai Square, 138 Huai Hai Road,
Luwan District, Shanghai, PRC
Zip Code: 200021

科勒(中国)投资有限公司
中央客户服务中心
上海市卢湾区淮海中路138号
上海广场19楼
邮编：200021

This is our exclusive written warranty.

这是我们全部的书面担保。